

NOTES:

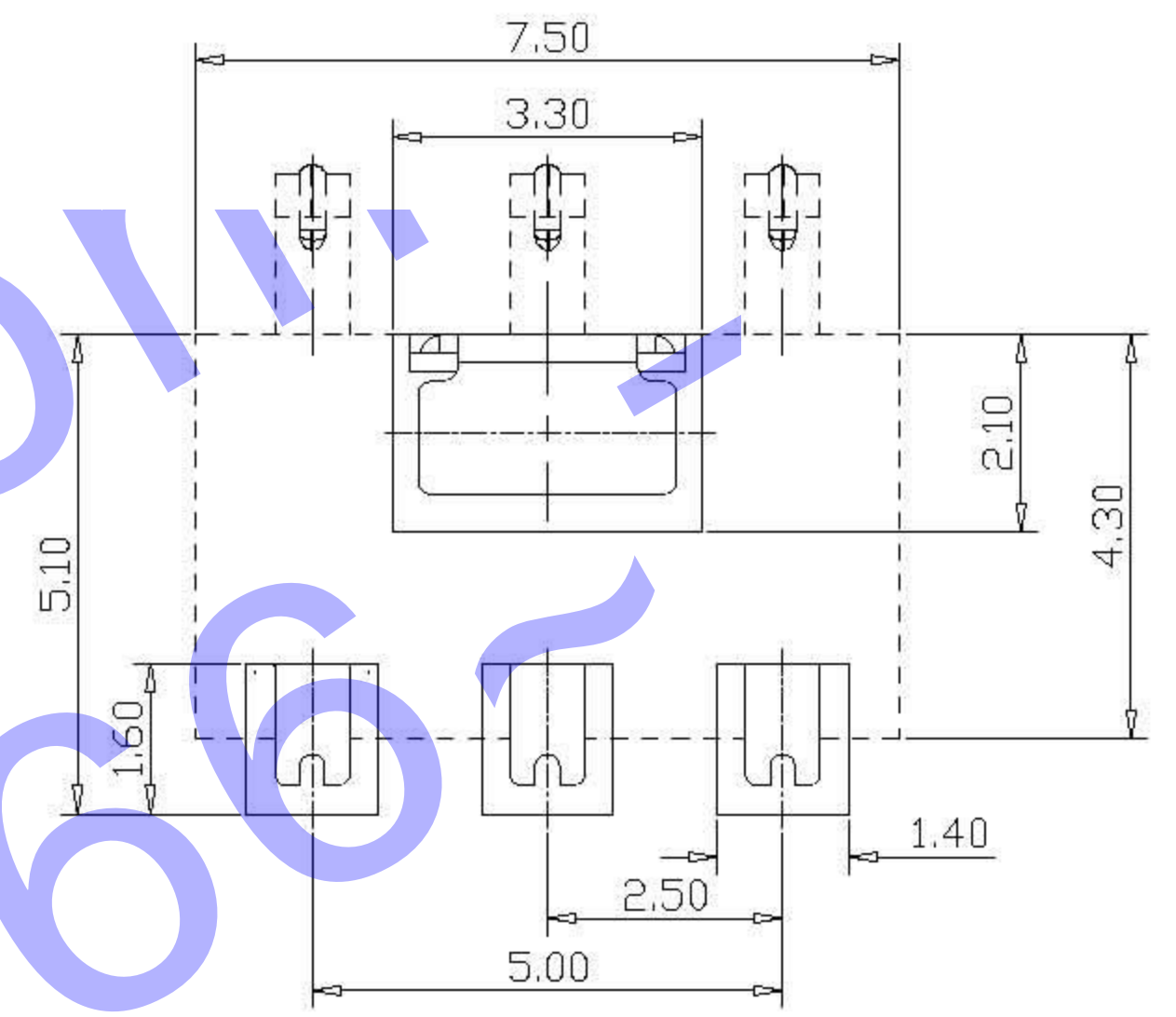
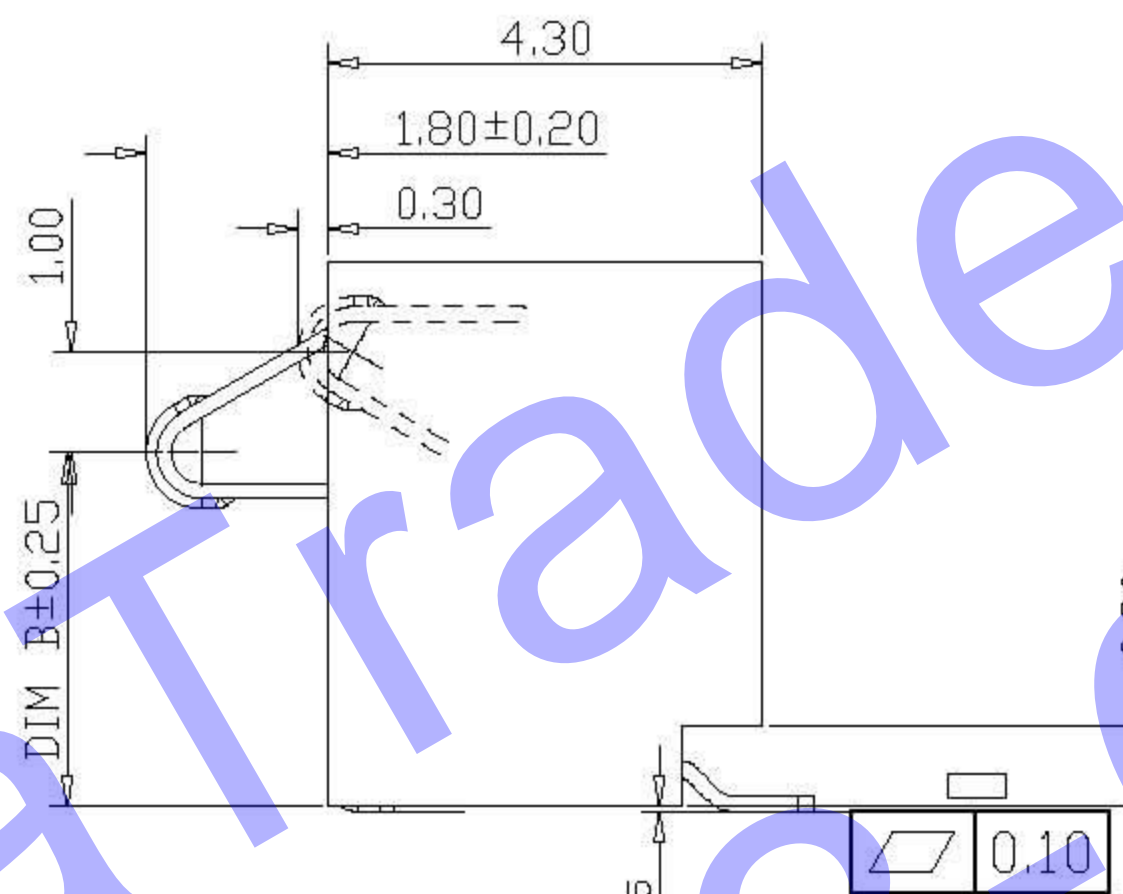
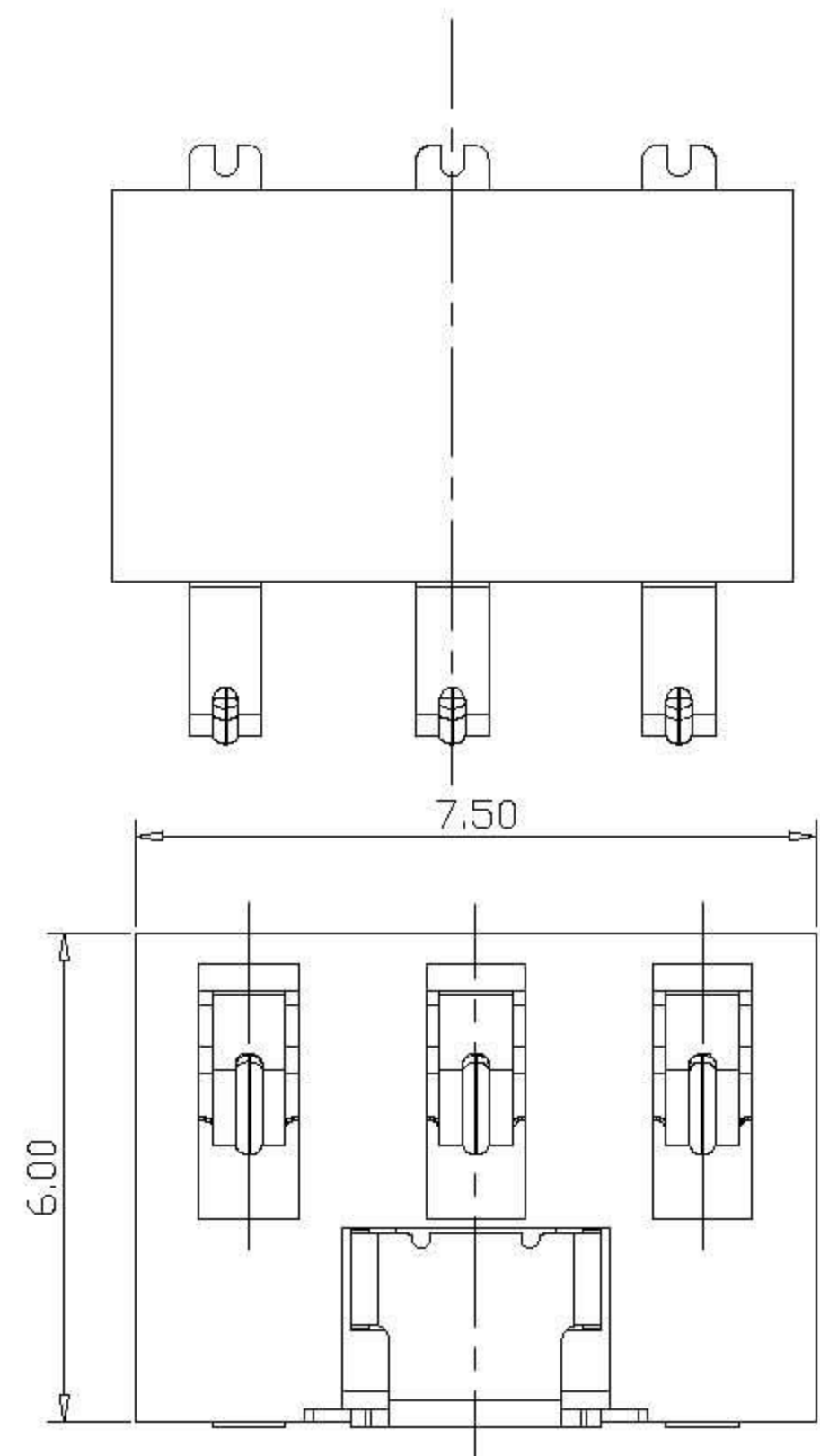
1.MATERIAL :

HOUSING :PA9T BLACK,UL-94V-0
 CONTACT :BeCu t=0.12+/-0.015mm
 HOLDER :Brass t=0.3+/-0.015mm

2.PLATING :

CONTACT GOLD PLATING 15u"MIN.AT CONTACT AREA
 GOLD FLASH SOLDERING AREA
 50u" MIN NI ALL OVER
 HOLDER :PLATING 100u" MIN Tin AND
 AND 50u" MIN NI .

3.THE SPRING HEIGHT(1.1MM)SHOULD NOT LOWER THAN
 0.3MM AFTER LEFT TEST 5000CYCLES



PCB LAYOUT TOLERANCE:±0.05

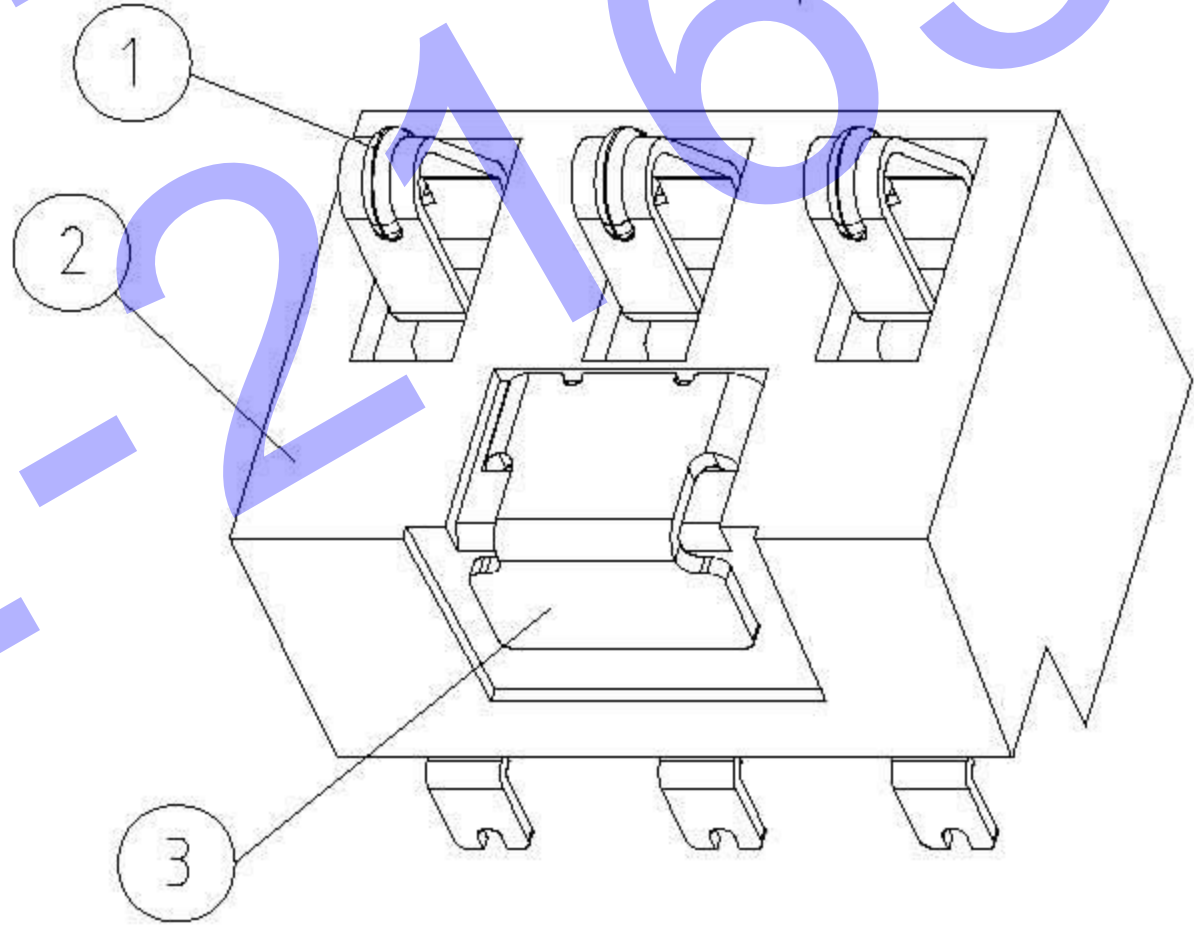
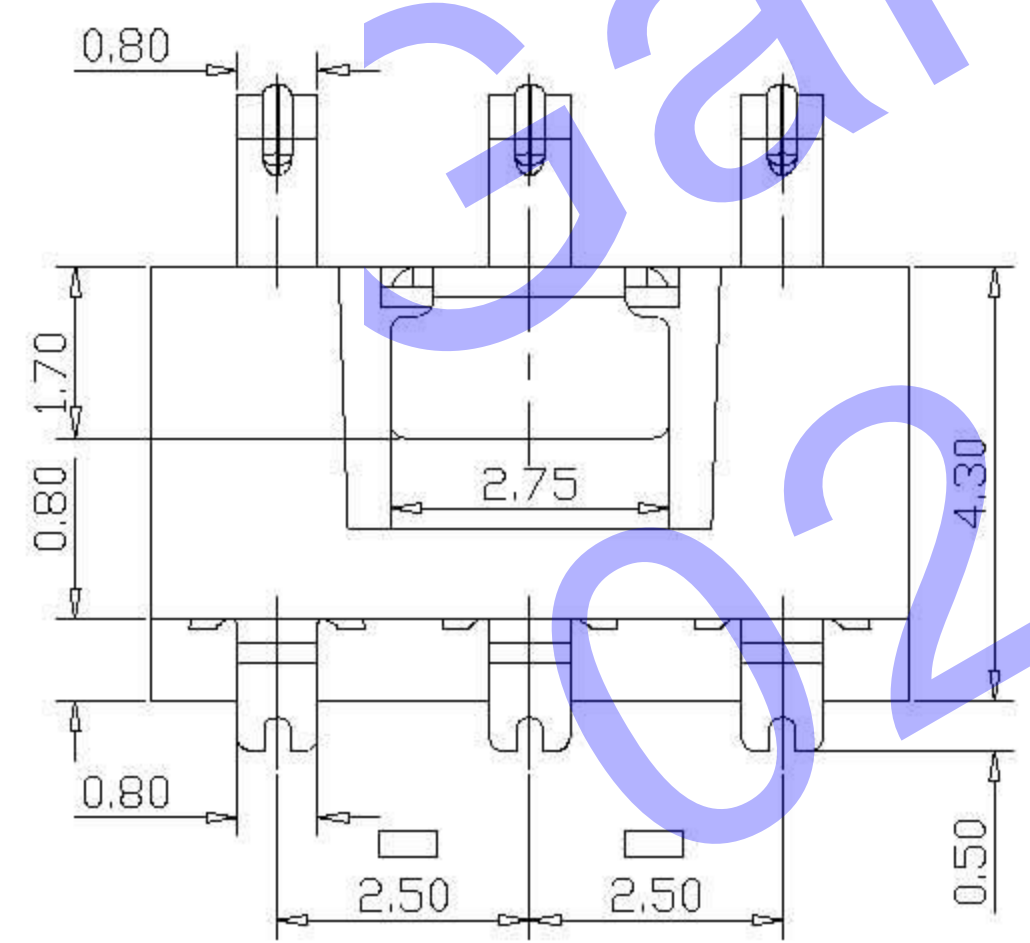


TABLE:

H=7.50mm	7.50mm	5.6mm
H=7.20mm	7.20mm	5.2mm
H=7.00mm	7.00mm	5.0mm
H=6.50mm	6.50mm	4.5mm
H=6.20mm	6.20mm	4.2mm
H=6.00mm	6.00mm	4.0mm
H=5.80mm	5.80mm	3.8mm
H=5.40mm	5.40mm	3.5mm
HEIGHT	DIM A	DIM B

H D C 有 限 公 司

TOL UNLESS OTHERWISE SPEC.			TITLE: 2.5PH 3PIN BATTERY CONN.(无定位柱)		
P/N NO.			DRA: ZHUJUN		
.X ±0.20	.X° ±2.0°	CHK:	SCALE: 1/1	UNIT mm	SHEET 1/1
.XX ±0.10	.XX° ±1.0°	APR:			
.XXX ±0.05	.XXX° ±0.5°				REV. A0