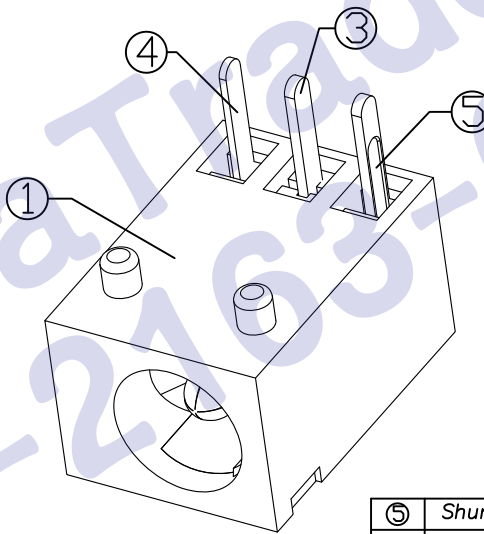
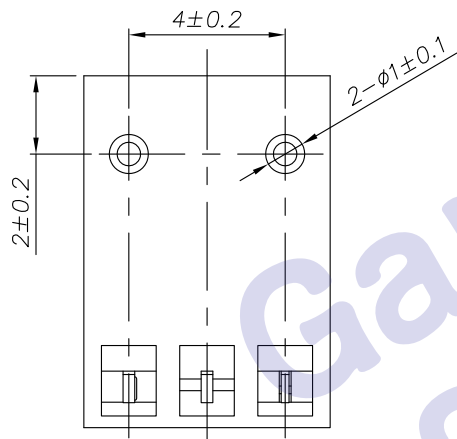
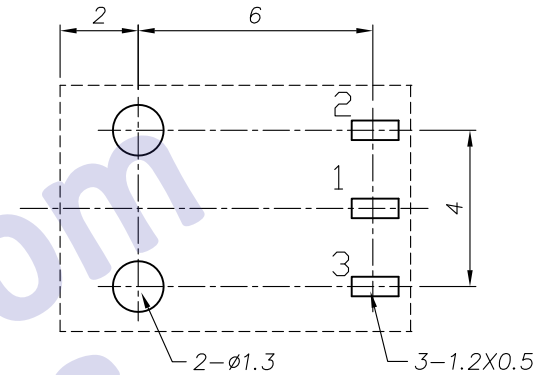
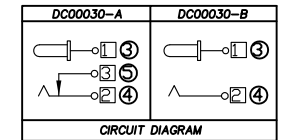


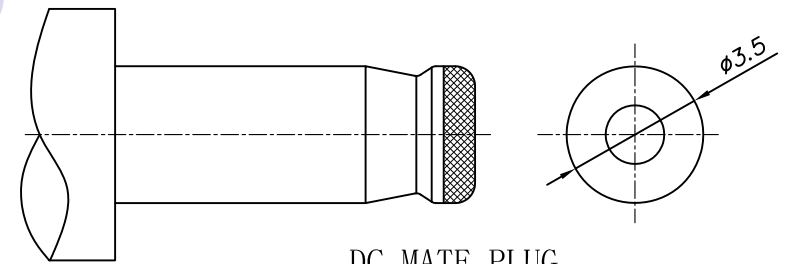
P.C.B Layout Copper-sided view



Model No.	DC00030- <u>C</u>	DC00030- <u>E</u>
PIN	φ1.0	φ1.3



□ : TERMINAL NO. ○ : ITEM NO.



DC MATE PLUG

SPECIFICATION

1. Rating ? DC 30V 1.0A?
2. Contact resistance ≤50mΩ ?
3. Insulation resistance ≥100MΩ (DC250V)?
4. Withstand voltage ≥500VAC ?
5. Insertion and extraction force ≤25N;
6. life test ≥5,000 cycles

⑤	Shunt terminal	1	Brass t=0.30	DC00030-03(WP-DC0005)	Ag-Plating
④	Tip spring	1	SUS301 t=0.2	DC00030-02(TP-DC0005)	Ag-Plating
③	Center pin	1	Brass t=0.3	DC00030-01C/E	Ag-Plating
②	Cover	1	PA66+15%GF/PBT	DC00030-S2(GZ-DC0003)	
①	Housing	1	PA66+15%GF/PBT	DC00030-S1(ST-DC0007)	

NO.	DESCRIPTION	QTY	MATERIAL	PART NO.	PLATING
-----	-------------	-----	----------	----------	---------

UNIT:MM	TYPE: DC POWER JACK	MODEL NO: DC00030-	PAPER NO: A4	PAGE 1 OF 1
			TOLERANCE: ±0.3	ANGLES: ±2°
			SCALE: FULL	VER: 3

DESIGNER BY:	Li Wenhui 2008.7.12
CHECK BY:	
APPROVED BY:	

HDC有限公司