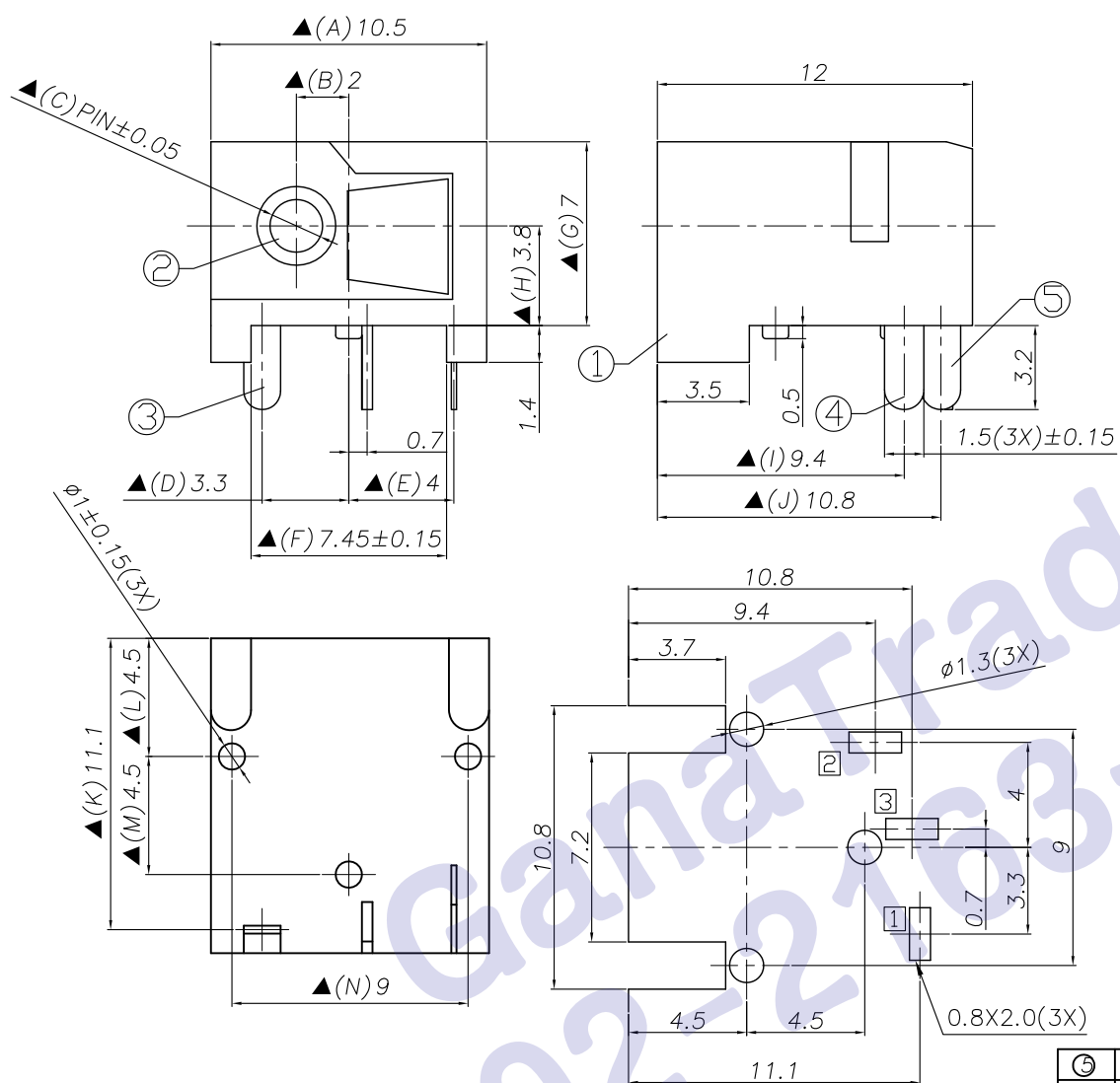
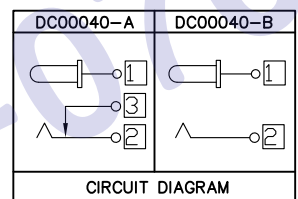


REV. LTR.	DESCRIPTION	SIGN	DATE
	Update drawing	Zhangxiuke	2011.06.13

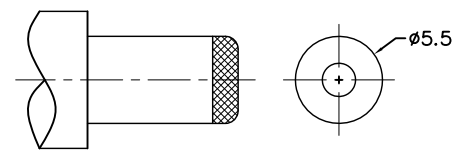


Ordering information:
 DC00040? ? ?? 0A S 0 4
 (1) (2) (3) (4) (5) (6) (7) (8)
 (1):Series No.
 (2):Schematic option:
 A, B
 (3):Center pin diameter:
 H=φ2.0 J=φ2.5
 (4):Material of housing:
 PB=PBT ,46=PA46
 (5):Housing color:
 0A=Black
 (6):Terminal plating:
 S=Silver(Ag)
 (7):Special option:
 0=No special option
 (8):Packing mode:
 4=Bag packing



□ : TERMINAL NO.

Model No.	DC00040- <u>H</u>	DC00040- <u>J</u>
PIN	φ2.0	φ2.5



Specification:
 1.Rating ?DC 20V 2A.
 2.Contact resistance?≤50m?.
 After test:≤100m?.
 3.Insulation resistance??100M? (DC500V).
 After test:?50M?.
 4.Withstanding voltage?500VAC.
 5.Insertion and extraction force?3N
 6.life test?5000cycles min.
 7.Operation temperature range:-20
 8.Preservative temperature range:-40
 9.Sign"? "is importance dimension.

RECOMMENDED P. C. B. LAYOUT
 UNSPECIFIED TOLERANCE: ±0.05
 (BOTTOM VIEW)

⑤	Shunt terminal	③	1	Brass t0.4	DC00040-03(WP-946)	Silver plating
④	Tip spring	②	1	Stainless steel t0.2	DC0004A-02(TP-947)	Silver plating
③	Center pin terminal	①	1	Brass t0.3	DC00040-01(PP-948)	Silver plating
②	Center pin		1	Copper alloy	DC00040-99H/J	Nickel plating
①	Housing		1	PBT/PA46	DC00040-S1(ST-945)	Black

NO.	DESCRIPTION	QTY	MATERIAL	PLATING	REMARK

DESIGNER BY: Zhangxiuke 2011.06.13
 CHECK BY:
 APPROVED BY:

HDC有限公司