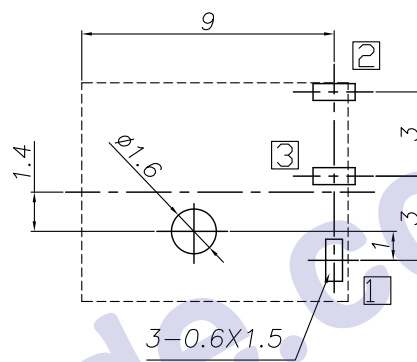
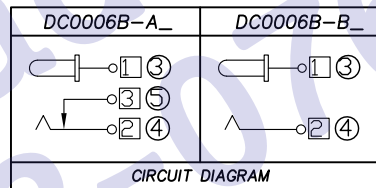
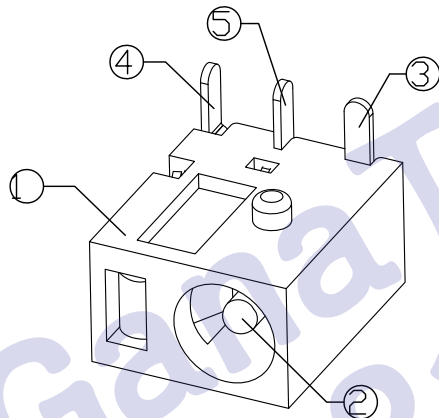
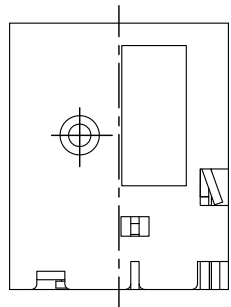


P.C.B Layout (Copper-sided view)



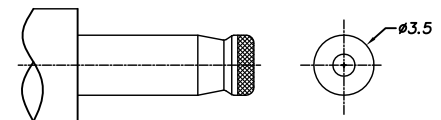
DC 0 0 0 6 B - ? ? ?? ?? ? ? ?

- ①: Series type: DC=DC POWER JACK
- ②: Series No.
- ③: Schematic option:  
A ? B
- ④: Center pin diameter:  
G $\phi$ 1.0 , E: $\phi$ 1.3
- ⑤: Material of housing:  
PB=PBT (Standard)
- ⑥: Housing color:  
0A=Black (Standard)
- ⑦: Terminal plating:  
S:Silver(Ag)
- ⑧: Special option:  
0:No special option
- ⑨: Packing mode:  
4:Bag packing



□ : TERMINAL NO. ○ : ITEM NO.

Model No.	DC0006B-_C	DC0006B-_E
PIN	$\phi$ 1.0	$\phi$ 1.3



DC MATE PLUG

**SPECIFICATION**

1. Rating ? DC 20V 2A?
2. Contact resistance?  $\leq$  50m $\Omega$ ?
3. Insulation resistance?? 100M $\Omega$  (DC500V)?
4. Withstand voltage? 500VAC ?
5. Insertion and extraction force? 3-30N;
6. life test? 5,000 cycles?

⑤	Shunt terminal	1	Brass t=0.3	DC0006B-03(PP-DC0009)	Ag-Plating
④	Tip spring	1	SUS301 t=0.3	DC0006B-02(TP-DC0010)	Ag-Plating
③	Center pin terminal	1	Brass t=0.3	DC0006B-01(PP-DC0008)	Ag-Plating
②	Center pin	1	Brass	DC00450-99C/E	Ni-Plating
①	Housing	1	PBT UL94V-0	DC0006B-S1(ST-DC0011)	

NO.	DESCRIPTION	QTY	MATERIAL	PART NO.	PLATING
-----	-------------	-----	----------	----------	---------

UNIT:MM	TYPE:	MODEL NO:	PAPER NO: A4	PAGE 1 OF 1	
	DC POWER JACK	DC0006B-_ _PBOAS04	TOLERANCE	ANGLES	SCALE
			$\pm$ 0.3	$\pm$ 2°	FULL
				VER	4

DESIGNER BY:	Li Wenhui 2008.6.24
CHECK BY:	
APPROVED BY:	

**HDC有限公司**