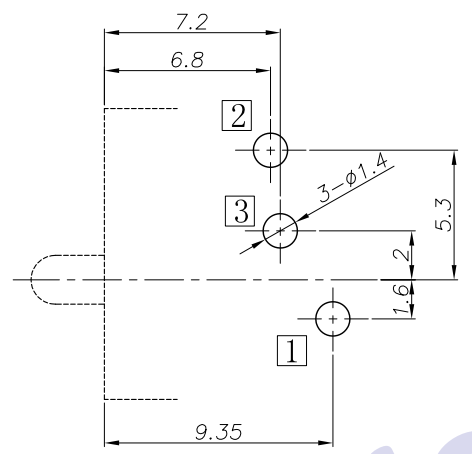
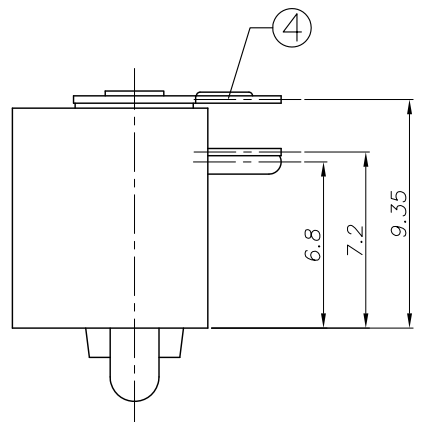
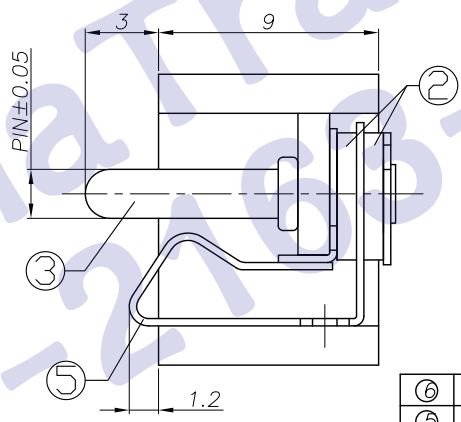
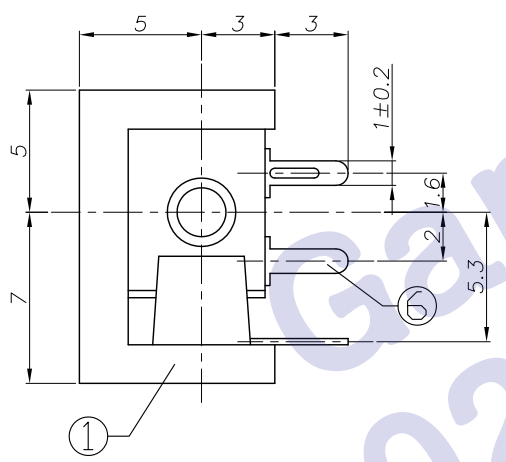


REV. LTR.	DESCRIPTION	SIGN	DATE



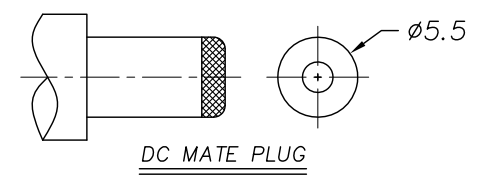
P.C.B Layout (top view)



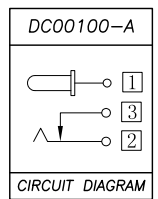
Ordering information:

DC 00100 - A □ PB 0A S 0 4

- (1) Series type: DC=DC POWER JACK
- (2) Series No.
- (3) Schematic option: A
- (4) Center pin diameter:  
H=∅2.0, I=∅2.35, J=∅2.5
- (5) Material of housing:  
PB=PBT
- (6) Housing color:  
0A=Black
- (7) Terminal plating:  
S=Silver (Ag) C=Copper&tin alloy
- (8) Special option:  
0=No special option
- (9) Packing mode:  
4=Bag packing



Model No.	DC00100-H	DC00100-I	DC00100-J
PIN	∅2.0	∅2.35	∅2.5



□ : TERMINAL NO.

- SPECIFICATION**
- Rating ? DC 20V 2A?
  - Contact resistance? ≤ 50mΩ?
  - Insulation resistance?? 100MΩ (DC500V)?
  - Withstand voltage? 500VAC ?
  - Insertion and extraction force? 3-30N;
  - life test? 5,000 cycles;
  - Operation temperature range: -20°C? 70°C;
  - Preservative temperature range: -40°C? 85°C;

⑥	Shunt terminal	③	1	Brass	Silver plating
⑤	Tip spring	②	1	Stainless steel	Silver plating
④	Center pin terminal	①	1	Brass	Silver plating
③	Center pin	①	1	Brass	CuSn/Nickel plating
②	Cover		2	PF	
①	Housing		1	PBT	

NO.	DESCRIPTION	QTY	MATERIAL	REMARK
UNIT: MM		TYPE:		MODEL NO:
		DC POWER JACK	DC00100-A_PBOAS04	PAPER NO: A4
DESIGNER BY:		Li Wenhui 2010.5.24		PAGE 1 OF 1
CHECK BY:				TOLERANCE
APPROVED BY:				ANGLES
				SCALE
				VER
				±0.3
				±2°
				N/A
				2

**HDC有限公司**