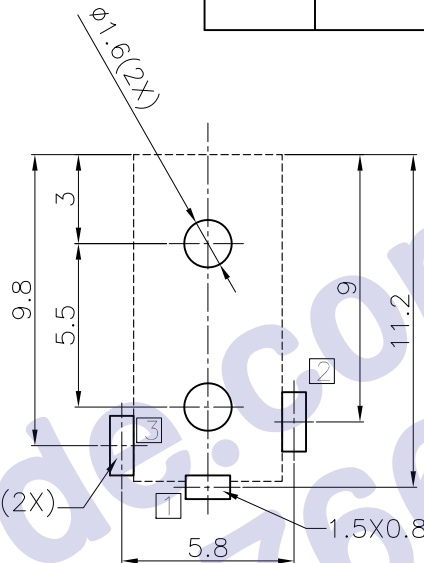
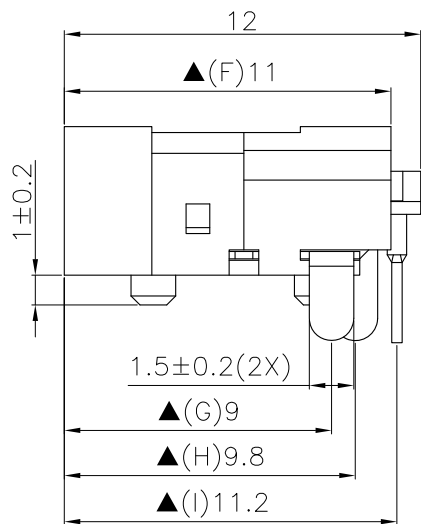
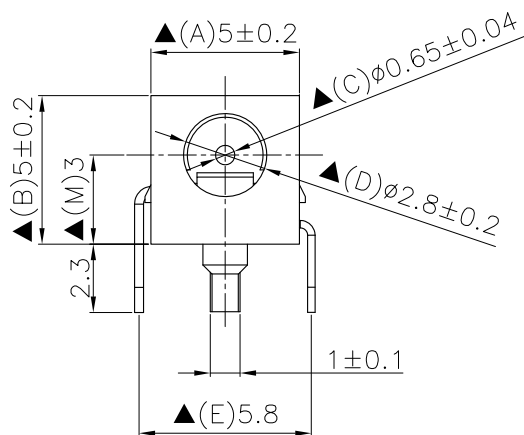


Update drawing

Zhang, xk. 2011.05.28.



RECOMMENDED P. C. B. LAYOUT
UNSPECIFIED TOLERANCE: ±0.05
(BOTTOM VIEW)

Ordering information:

DC00110 - □ A PB 0A S 0 4

(1) (2) (3) (4) (5) (6) (7) (8)

(1): Series No.

(2): Schematic option:
A、B

(3): Center pin diameter:
A=φ0.65

(4): Material of housing:
PB=PBT (Standard)

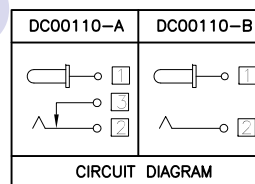
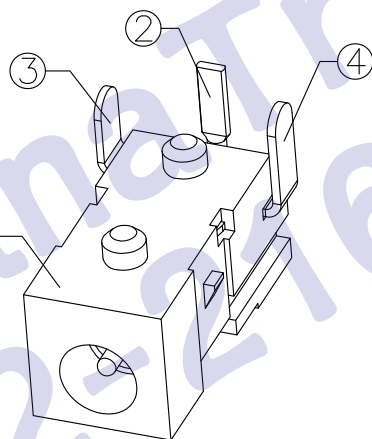
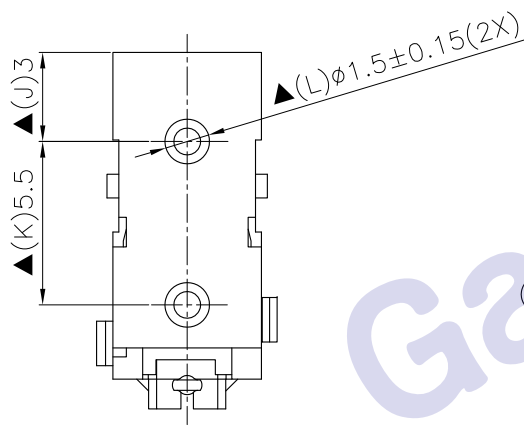
(5): Housing color:

Zero → 0A=Black

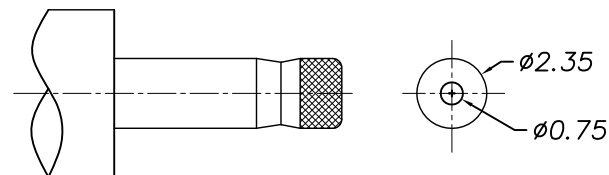
(6): Terminal plating:
S=Silver (Ag)

(7): Special option:
0=No special option

(8): Packing mode:
4=Bag packing



□ : TERMINAL NO.



DC MATE PLUG

Specification:

- Rating : DC 12V 2A.
- Contact resistance: ≤30mΩ.
After test: ≤50mΩ.
- Insulation resistance: ≥100MΩ (500VDC).
After test: ≥50MΩ.
- Withstanding voltage: 500VAC.
- Insertion and extraction force: 3N~30N.
- life test: 5000cycles min.
- Operation temperature range: -20°C~70°C.
- Preservative temperature range: -40°C~85°C.
- Sign "▲" is importance dimension.

④	Shunt terminal	③	1	Brass t0.3	DC0011A-03(WP-376)	Silver plating
③	Tip spring	②	1	Beryllium bronze t0.25	DC0011A-02(TP-377)	Silver plating
②	Center pin	①	1	Bronze	DC0011A-01(YZ-379)	Silver plating
①	Housing		1	PBT	DC0011B-S1(ST-695)	Black

NO.	DESCRIPTION	QTY	MATERIAL	PART NO.	REMARK
-----	-------------	-----	----------	----------	--------

UNIT: MM	TYPE:	MODEL NO:	PAPER NO: A4	PAGE 1 OF 1
	DC POWER JACK	DC00110-APB0AS04	TOLERANCE	ANGLES
			±0.3	±2'
			SCALE	VER
			FULL	05

DESIGNER BY:	Zhang, xk 2011.05.28
CHECK BY:	Michael 2011.05.28
APPROVED BY:	Ocean 2011.05.28

HDC有限公司