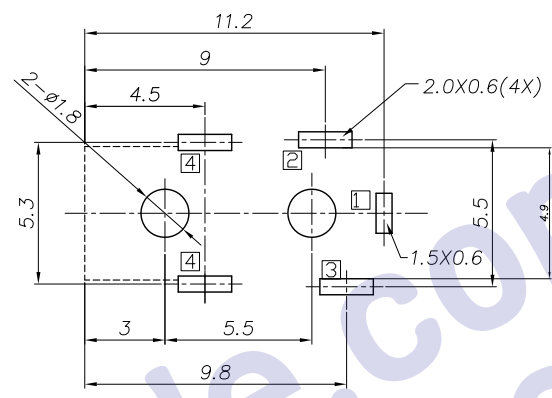
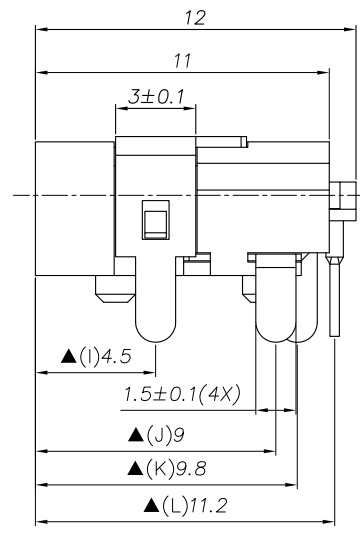
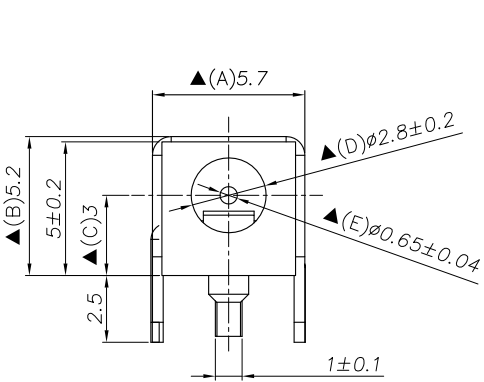
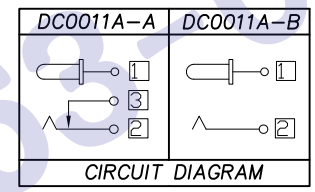
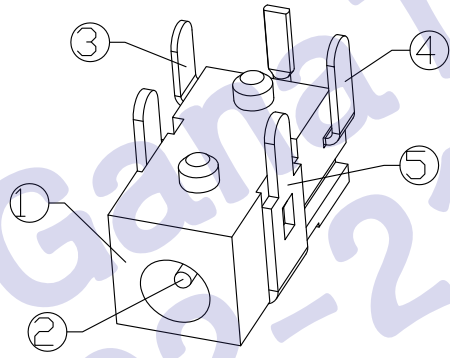
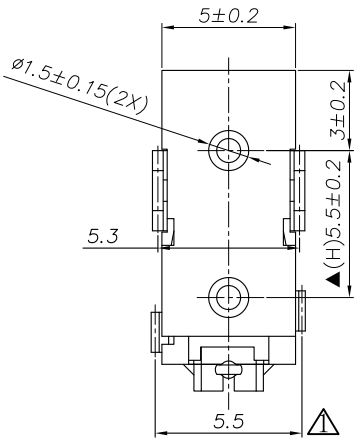


REV. LTR.	DESCRIPTION	SIGN	DATE
	Update drawing	<i>Zhang.ab.</i>	2011.05.16.
▲	Update drawing	<i>Matt</i>	2012.06.05

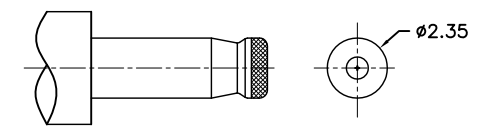


RECOMMENDED P. C. B. LAYOUT
UNSPECIFIED TOLERANCE: ± 0.05
(BOTTOM VIEW)

Ordering information:
DC0011A-? APB0AS04
(1) (2) (3) (4) (5)(6)(7)(8)
(1):Series No.
(2):Schematic option:
A ?B
(3):Center pin diameter:
A= $\phi 0.65$
(4):Material of housing:
PB=PBT (Standard)
(5):Housing color:
Zero 0A=Black
(6):Terminal plating:
S=Silver(Ag)
(7):Special option:
0=No special option
(8):Packing mode:
4=Bag packing



□ : TERMINAL NO.



DC MATE PLUG

Specification:

- Rating ?DC 30V 1A.
- Contact resistance $\leq 30m\Omega$.
After test: $\leq 50m\Omega$.
- Insulation resistance ??100M? (500VDC).
After test: ?50M?.
- Withstanding voltage ?500VAC.
- Insertion and extraction force ?30N
- life test ?5000cycles min.
- Operation temperature range ?-20
- Preservative temperature range ?-40
- Sign? "is importance dimension?"

⑤ Shell	④	1	Brass t0.4	DC0011A-W1(JA-378)	Silver plating
④ Shunt terminal	③	1	Brass t0.3	DC0011A-03(WP-376)	Silver plating
③ Tip spring	②	1	Beryllium bronze t0.25	DC0011A-02(TP-377)	Silver plating
② Center pin	①	1	Bronze	DC0011A-01(YZ-379)	Silver plating
① Housing		1	PBT,UL 94V-0	DC0011B-S1(ST-695)	Black
NO.	DESCRIPTION	QTY	MATERIAL	PART NO.	REMARK
UNIT: MM		TYPE:		MODEL NO:	
		DC POWER JACK		DC0011A-_APB0AS04	
DESIGNER BY:		Matt 2012.06.05		PAPER NO: A4	
CHECK BY:				PAGE 1 OF 1	
APPROVED BY:				TOLERANCE	
				ANGLES	
				SCALE	
				VER	
				±0.3	
				±2°	
				FULL	
				4	

HDC有限公司