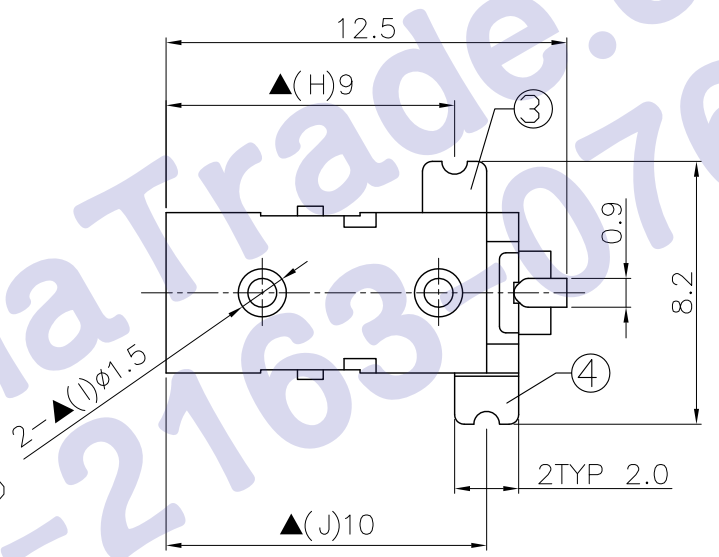
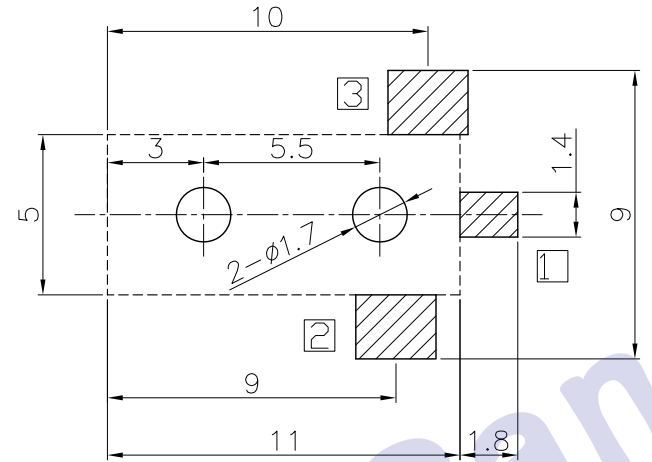
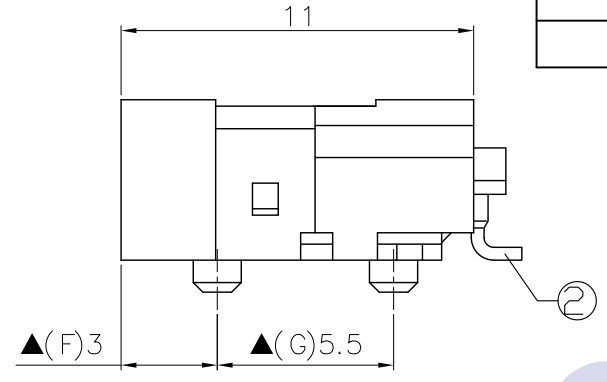
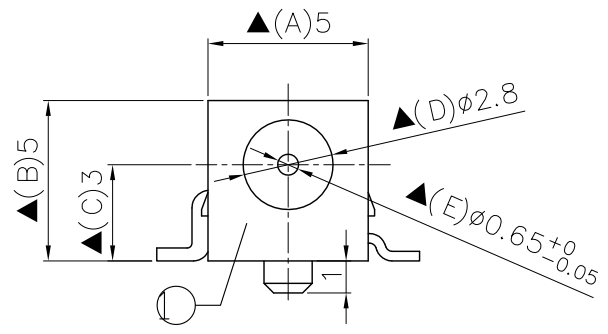
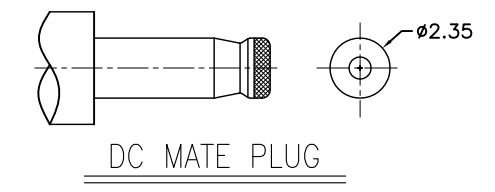


REV. LTR.	DESCRIPTION	SIGN	DATE



Ordering information:

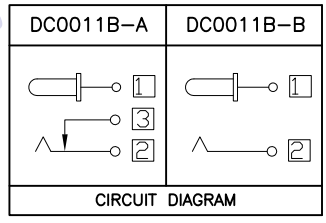
- DC 00 1 1 B - □ A 9T 0A S 0 1  
 (1) (2) (3) (4) (5) (6) (7) (8) (9)
- (1): Series type: DC=DC POWER JACK
  - (2): Series No.
  - (3): Schematic option:  
A, B
  - (4): Center pin diameter:  
A=φ0.65
  - (5): Material of housing:  
9T=PA9T
  - (6): Housing color:  
0A=Black
  - (7): Terminal plating:  
S=Silver (Ag)
  - (8): Special option:  
0=No special option
  - (9): Packing mode:  
1=Reel packing



P.C.B Layout (Copper-sided view)

SPECIFICATION

1. Rating ? DC 30V 1A?
2. Contact resistance? ≤ 50mΩ?
3. Insulation resistance?? 100MΩ (DC500V)?
4. Withstand voltage? 500VAC ?
5. Insertion and extraction force? 3-30N;
6. life test? 5,000 cycles;
7. Operation temperature range: -20°C? 70°C;
8. Preservative temperature range: -40°C? 85°C;
9. Sign"? "is importance dimension.



□ : TERMINAL NO.

④	Shunt terminal	③	1	Brass t=0.4	DC0011B-03	Silver plating
③	Tip spring	②	1	Stainless steel t=0.25	DC0011B-02	Silver plating
②	Center pin	①	1	Phosphor bronze	DC0011B-99A	Silver plating
①	Housing		1	PA9T	DC0011B-S1	
NO.	DESCRIPTION	QTY	MATERIAL		PART NO.	REMARK
UNIT: MM		TYPE:		MODEL NO:	PAPER NO: A4	PAGE 1 OF 1
		DC POWER JACK		DC0011B-_A9T0AS01	TOLERANCE	ANGLES
DESIGNER BY:		Li Wenhui 2010.3.24		SCALE		VER
CHECK BY:				FULL		3
APPROVED BY:						

HDC有限公司