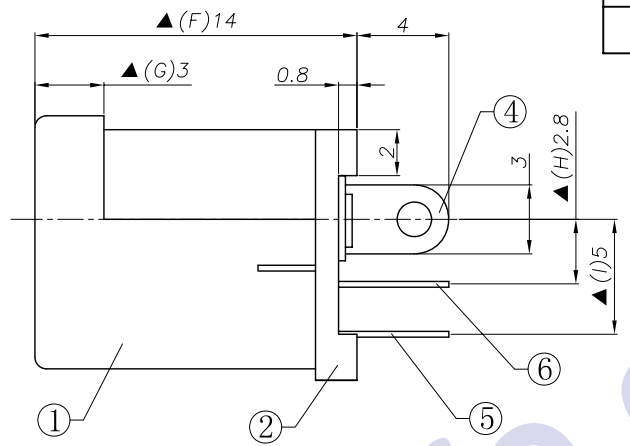
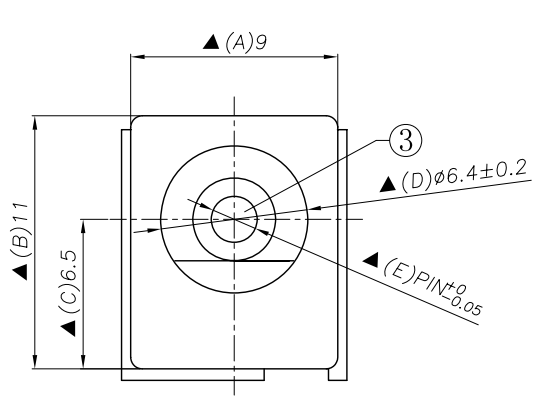


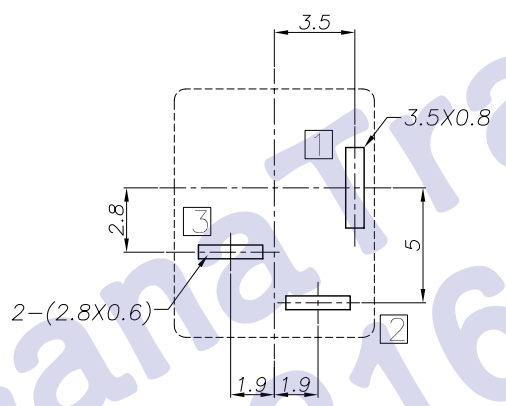
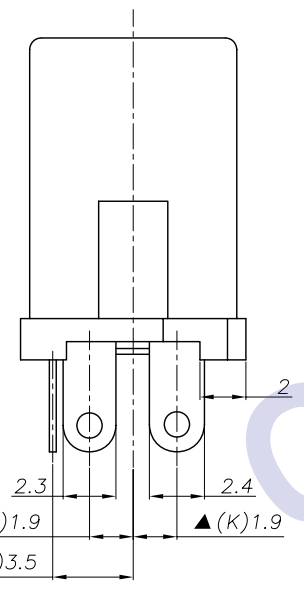
REV. LTR.	DESCRIPTION	SIGN	DATE
	Update drawing	Shangxiuke	2011.04.19



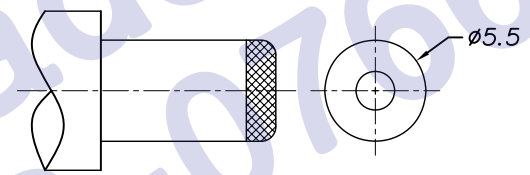
Ordering information:

DC0012A- □ □ PB 0A S 0 4

- (1): Series No.
- (2): Schematic option: A, B
- (3): Center pin diameter:
H=ø2.0, I=ø2.35, J=ø2.5
- (4): Material of housing:
PB=PBT (Standard)
- (5): Housing color:
0A=Black
- (6): Terminal plating:
S=Silver (Ag)
- (7): Special option:
0=No special option
- (8): Packing mode:
4=Bag packing

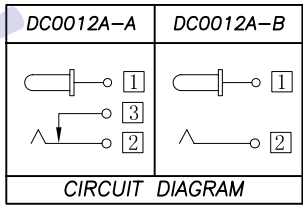


RECOMMENDED P. C. B. LAYOUT
UNSPECIFIED TOLERANCE: ±0.05
(COPPER-SIDED VIEW)



DC MATE PLUG

Model No.	DC0012A- <u>H</u>	DC0012A- <u>I</u>	DC0012A- <u>J</u>
PIN	ø2.0	ø2.35	ø2.5



□ : TERMINAL NO.

- Specification:
1. Rating : DC 20V 2.5A;
 2. Contact resistance: ≤50mΩ;
After test: ≤100mΩ
 3. Insulation resistance: ≥100MΩ (500VDC);
After test: ≥50MΩ
 4. Withstanding voltage: 500VAC ;
 5. Insertion and extraction force: 3N~30N;
 6. life test: 5000cycles min;
 7. Operation temperature range:-20℃~70℃
 8. Preservative temperature range:-40℃~85℃
 9. Sign"▲" is importance dimension

⑥	Shunt terminal	③	1	Brass t0.3	DC0012A-03	Silver plating
⑤	Tip spring	②	1	Stainless steel t0.2	DC0012A-02	Silver plating
④	Center pin terminal	①	1	Brass t0.35	DC0012A-01	Silver plating
③	Center pin	①	1	Brass	DC00050-99H/I/J	CuSn/Nickel plating
②	Cover		1	PBT UL94V-0	DC0012A-S2	Black
①	Housing		1	PBT UL94V-0	DC00050-S1	

NO.	DESCRIPTION	QTY	MATERIAL	PART NO.	REMARK
UNIT: MM		TYPE:		MODEL NO:	
TOLERANCE		ANGLES		SCALE	
PAGE 1 OF 1		VER			

DESIGNER BY: Shangxiuke 2011.04.20
CHECK BY:
APPROVED BY:

HDC有限公司