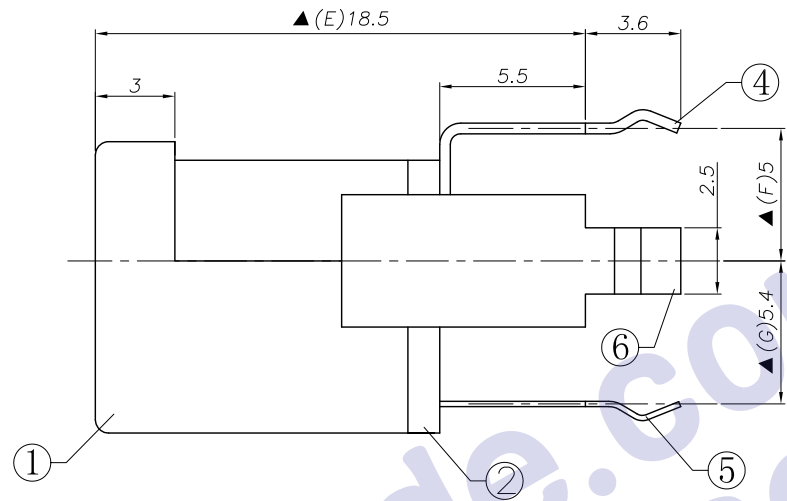
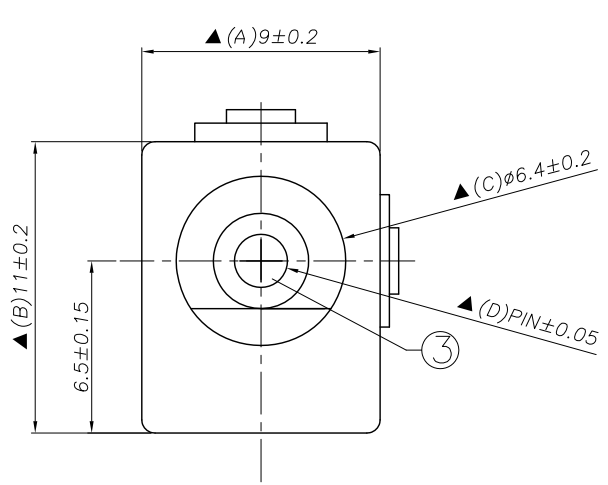
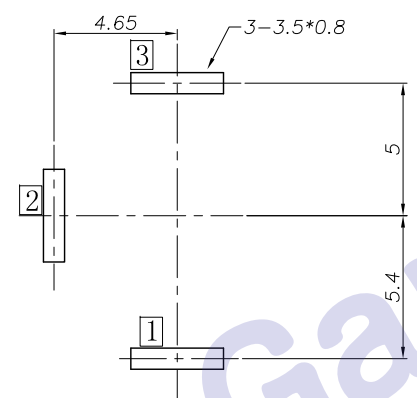


REV.	LTR.	DESCRIPTION	SIGN

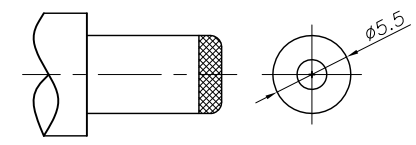


Ordering information:
DC 00140-□ □ PB 0A T 0 4
 (1) (2) (3) (4) (5) (6) (7) (8) (9)
 (1):Series type:DC=DC POWER JACK
 (2):Series No.
 (3):Schematic option: A,B
 (4):Center pin diameter:
 H=Ø2.0 I=Ø2.35 J=Ø2.5
 (5):Material of housing:
 PB=PBT (Standard)
 (6):Housing color:
 Zero→0A=Black (Standard)
 (7):Terminal plating
 T=Tin(Sn)
 (8):Special option:
 Zero→0=No special option
 (9):Packing mode:
 4=Bag packing



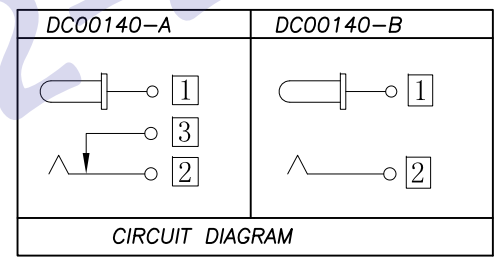
Recommended PCB Layout (Tolerance±0.05)
 (Copper-sided View)

Model No.	DC00140- <u>H</u>	DC00140- <u>I</u>	DC00140- <u>J</u>
PIN	Ø2.0	Ø2.35	Ø2.5



DC MATE PLUG

- SPECIFICATION**
- Rating : DC 20V 2.5A;
 - Contact resistance: ≤50mΩ;
After test: ≤100mΩ
 - Insulation resistance: ≥100MΩ (DC500V);
After test: ≥50MΩ
 - Withstand voltage: 500VAC ;
 - Insertion and extraction force: 3-30N;
 - life test: 5,000 cycles;
 - Operation temperature range:-20° C~70° C;
 - Preservative temperature range:-40° C~85° C;
 - Sign"▲"is importance dimension



⑥	Shunt terminal	2	1	Brass	Tin plating			
⑤	Tip spring	1	1	Stainless Steel	Tin plating			
④	Center pin contact	3	1	Brass	Tin plating			
③	Center Pin		1	Brass	Copper&tin plating			
②	Cover		1	PF				
①	Housing		1	PBT	Black			
NO.	DESCRIPTION	QTY	MATERIAL		REMARK			
UNIT:MM		TYPE:		MODEL NO:	PAPER NO: A4	PAGE 1 OF 1		
		DC POWER JACK		DC00140-__PBOAT04	TOLERANCE	ANGLES	SCALE	VER
DESIGNER BY:		LeiYu 2010.10.29		±0.3		±2°	FULL	A
CHECK BY:				HDC有限公司				
APPROVED BY:								