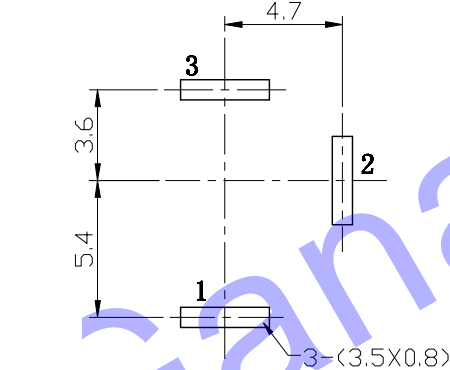
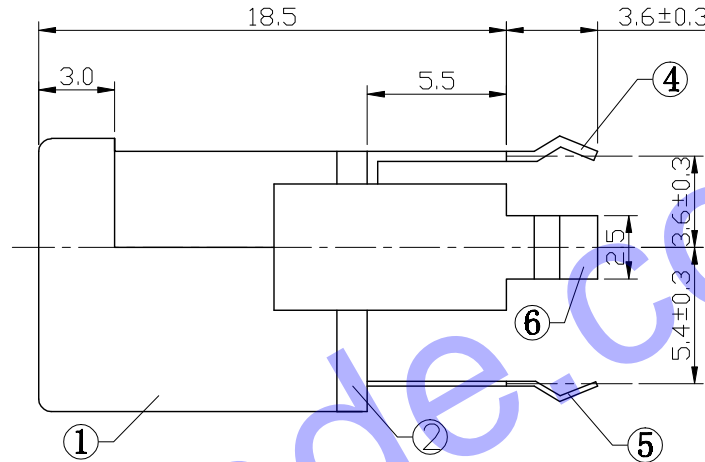
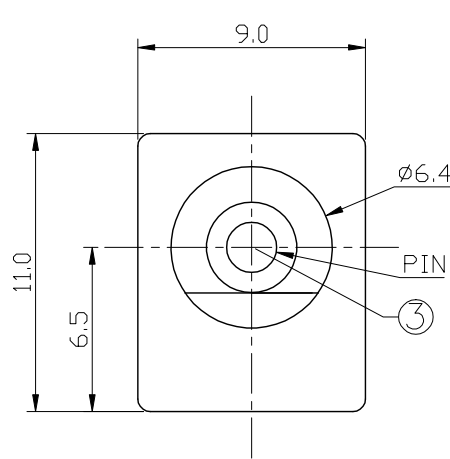
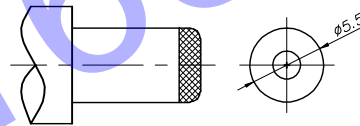


REV.	Q' TY	ECN. NO.	REASON/CONTENTS	SIGN	DATE



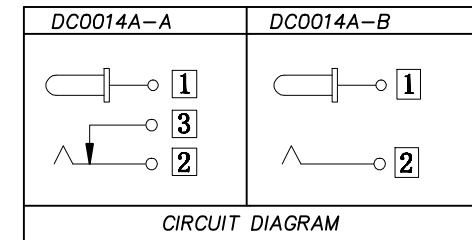
PCB HOLES(TOP VIEW) t=1.6mm
NOTE: GENERAL TOLERANCE: ±0.05mm

Model No.	DC0014A- <u>H</u>	DC0014A- <u>I</u>	DC0014A- <u>J</u>
PIN	φ2.0	φ2.35	φ2.5



DC MATE PLUG

Ordering information:
DC0014A - A □ PB OA T 0 4
(1) (2) (3) (4) (5) (6) (7) (8)
(1):Series No.
(2):Schematic option: A
(3):Center pin diameter:
H=φ2.0 I=φ2.35 J=φ2.5
(4):Material of housing:
PB=PBT
(5):Housing color:
Zero—OA=Black
(6):Terminal plating:
T=Tin Plating
(7):Special option:
0:No option
(8):Packing mode:
4: Bag Packing



Specification:

- Rating : DC 20V 2.5A.
- Contact resistance: ≤50mΩ.
After life test: ≤100mΩ.
- Insulation resistance: ≥100MΩ (500VDC).
After life test: ≥50MΩ.
- Withstand voltage: 500VAC.
- Insertion and extraction force: 3N~30N.
- life test: 5000cycles min.
- Operation temperature range:-20℃~70℃.
- Preservative temperature range:-40℃~85℃.

NO.	DESCRIPTION	Q' TY	MATERIAL	PART NO.	REMARK
6	Shunt terminal	3	Brass		Tin plating
5	Tip spring	2	Tainless steel		Tin plating
4	Center pin contact	1	Brass		Tin plating
3	Center pin	1	Brass		CuSn plating
2	Cover	1	PF		
1	Housing	1	PBT		Black

THIS DOCUMENT IS THE SOLE PROPERTY OF Beam ELECTRONICS CO., LTD. AND SHOULD NOT BE USED IN WHOLE OR INPART WITHOUT PRIOR WRITTEN PERMISSION.	UNIT:MM	TOLERANCE	TYPE:	MODEL NO:	DRAWING TYPE:
		DIMENSIONS	ANGLES	DC0014A- <u> </u> _PBOAT04	CUSTOMER DRAWING
		.X ±0.50	.X ±5°	DC Power JACK	DRAWING No:
DESIGNER BY:	Matt	2012.12.08		BSCR-0000-****	N/A 01 1/1
CHECK BY:					
APPROVED BY:					