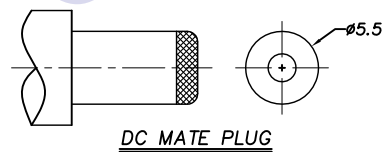
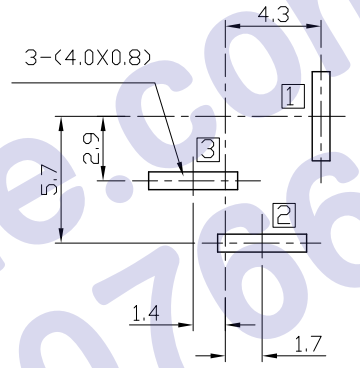
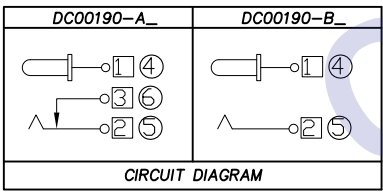


P.C.B Layout Copper-sided view



DC 0 0 1 9 0 - ? ? ? ? ? ? ? ?

- ①: Series type: DC=DC POWER JACK
- ②: Series No.
- ③: Schematic option: A ? B
- ④: Center pin diameter: H:ø2.0, I:ø2.35, J:ø2.5
- ⑤: Material of housing: PB=PBT (Standard)
- ⑥: Housing color: 0A=Black (Standard)
- ⑦: Terminal plating: T: Tin(Sn)
- ⑧: Special option: 0: No special option
- ⑨: Packing mode: 4: Bag packing



□ : TERMINAL NO. ○ : ITEM NO.

Model No.	DC00190- <u>H</u>	DC00190- <u>I</u>	DC00190- <u>J</u>
PIN	ø2.0	ø2.35	ø2.5

NO.	DESCRIPTION	QTY	MATERIAL	PLATING
⑥	Shunt terminal	1	Brass	Sn-Plating
⑤	Tip spring	1	SUS301	Sn-Plating
④	Center pin terminal	1	Brass	Sn-Plating
③	Center pin	1	Brass	Ni-Plating
②	Cover	1	PBT UL94V-0	
①	Housing	1	PBT UL94V-0	

UNIT:MM	TYPE:	MODEL NO:	PAPER NO: A4	PAGE 1 OF 1
⊕	DC POWER JACK	DC00190-__ PBOAT04	TOLERANCE	ANGLES
			±0.3	±2°
			SCALE	VER
			FULL	2

**SPECIFICATION**  
 1. Rating ? DC 20V 2.5A?  
 2. Contact resistance? ≤ 50mΩ?  
 3. Insulation resistance?? 100MΩ (DC500V)?  
 4. Withstand voltage? 500VAC ?  
 5. Insertion and extraction force? 3-30N;  
 6. life test? 5,000 cycles?

DESIGNER BY: Li Wenhui 2008.9.24  
 CHECK BY:  
 APPROVED BY:

**HDC有限公司**