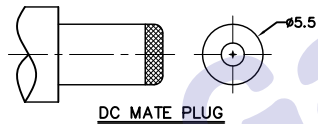
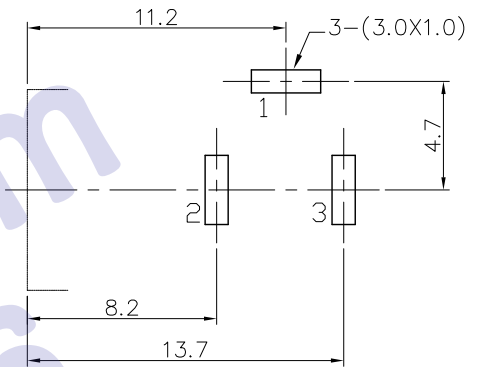
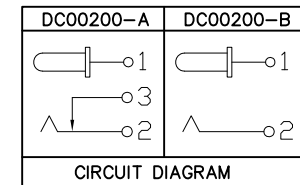


P.C.B Layout (Copper-sided view)



Model No.	DC00200- <u>H</u>	DC00200- <u>I</u>	DC00200- <u>J</u>
PIN	φ2.0	φ2.35	φ2.5



- SPECIFICATION**
1. Rating? DC 30V 0.5A?
 2. Contact resistance ≤ 50mΩ?
 3. Insulation resistance ≥ 100MΩ (DC250V)?
 4. Withstand voltage ≥ 500VAC?
 5. Insertion and extraction force ≤ 25N?
 6. Life test ≥ 5,000 cycles?

6	COVER	1	PBT	
5	HOUSING	1	PBT	
4	PIN	1	BRASS	Ni-Plating
3	FLAT PIECE	1	BRASS	Sn-Plating
2	CURVE PIECE	1	BRASS	Sn-Plating
1	SPRING	1	STAINLESS STEEL	Sn-Plating
NO.	DESCRIPTION	QTY	MATERIAL	PLATING
UNIT:MM	TYPE:	MODEL NO: DC00200- <u> </u>	PAPER NO: <u> </u>	PAGE 1 OF 1
	DC JACK		TOLERANCE: ±0.3	ANGLES: ±2°
DESIGNER BY: <u> </u>	CHECK BY: <u> </u>	APPROVED BY: <u> </u>	SCALE: 1:1	VER: 1
HDC有限公司				