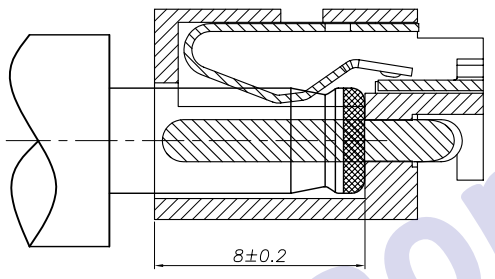
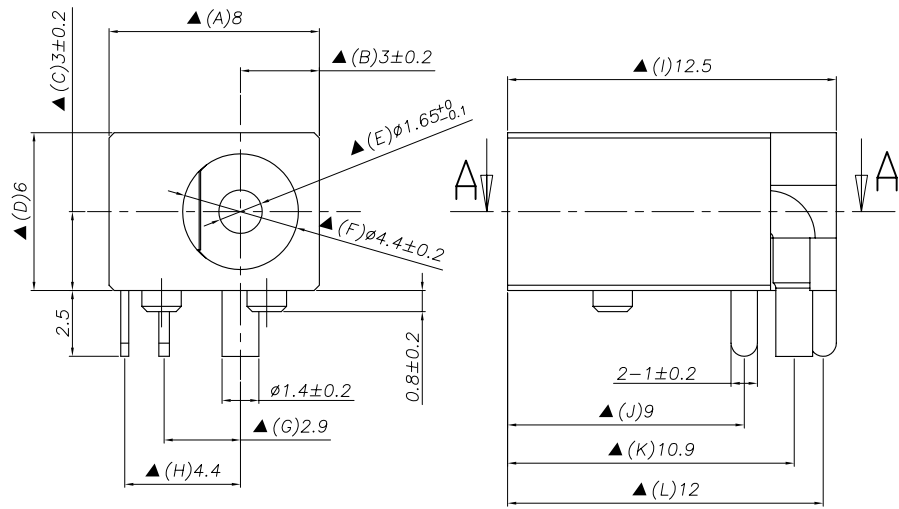


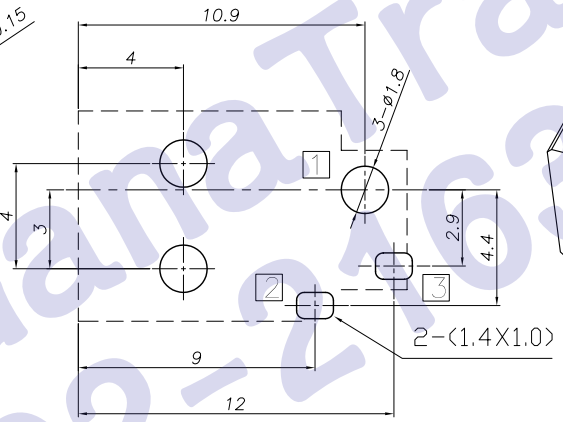
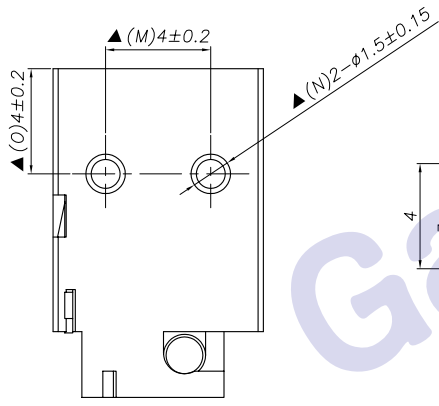
REV. LTR.	DESCRIPTION	SIGN	DATE



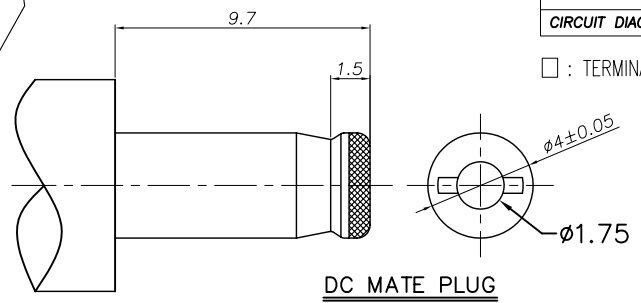
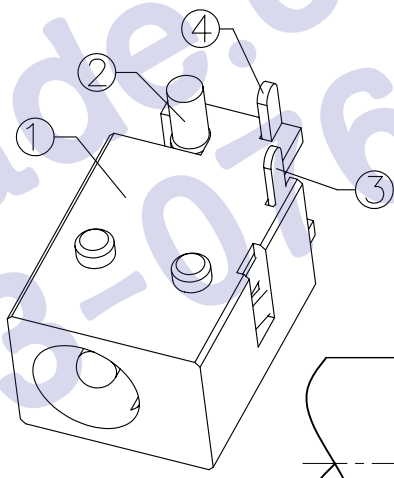
Section: A-A

Ordering information:
 DC 0023A -A G PB □ □ S 0 4
 (1) (2) (3) (4) (5) (6) (7) (8) (9)
 (1):Series type:DC=DC POWER JACK
 (2):Series No.
 (3):Schematic option: A
 (4):Center pin diameter: G=∅1.65
 (5):Material of housing: PB=PBT
 (6):Housing color:
 0A=Black, 4D=Yellow(0417)
 (7):Terminal plating:S=Silver(Ag)
 (8):Special option:
 0=No special option
 (9):Packing mode:
 4=Bag packing

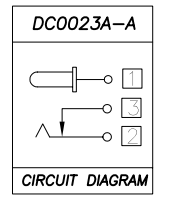
Zero



RECOMMENDED P. C. B. LAYOUT
 UNSPECIFIED TOLERANCE: ±0.05
 (COPPER-SIDED VIEW)



DC MATE PLUG



CIRCUIT DIAGRAM

□ : TERMINAL NO.

SPECIFICATION
 1.Rating : DC 20V 3A;
 2.Contact resistance: ≤30mΩ
 After test:≤50mΩ;
 3.Insulation resistance: ≥100MΩ (DC500V);
 4.Withstand voltage: 500VAC ;
 5.Insertion and extraction force: 3-30N;
 6.life test: 5,000 cycles;
 7.Operation temperature range:-20°C~70°C;
 8.Preservative temperature range:-40°C~85°C;
 9.Sign"▲ "is importance dimension.

④	Shunt terminal	③	1	Brass t0.4	DC0023A-03(WP-579)	Silver plating
③	Tip spring	②	1	Phosphor bronze t0.3	DC0023A-02(TP-580)	Silver plating
②	Center pin	①	1	Brass	DC00230-99G(PZ-825)	Silver plating
①	Housing		1	PBT UL94V-0	DC00230-S1(ST-DC0018)	

NO.	DESCRIPTION	QTY	MATERIAL	PART NO.	REMARK
UNIT: MM		TYPE:		MODEL NO:	
PAPER NO: A4		PAGE 1 OF 1		TOLERANCE	
ANGLES		SCALE		VER	
±0.3		±2'		FULL	
2					

DESIGNER BY: Zhang x k 2011.03.10
 CHECK BY:
 APPROVED BY:

HDC有限公司