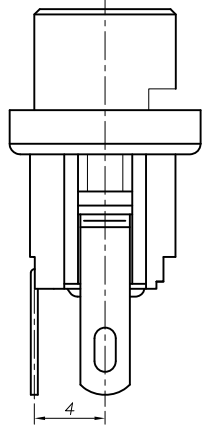
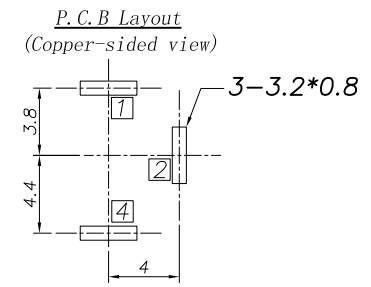
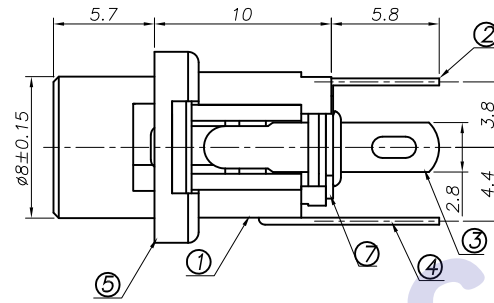
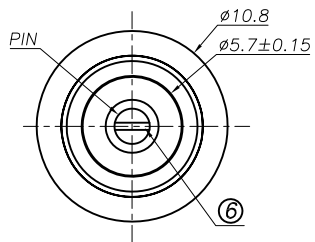


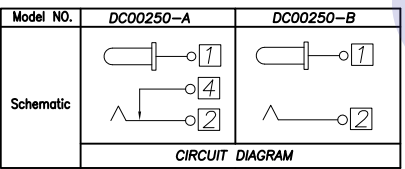
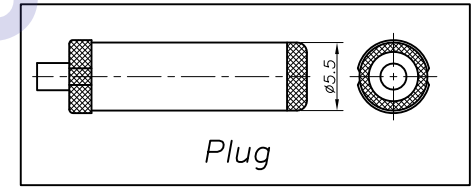
REV. LTR.	DESCRIPTION	SIGN	DATE



Ordering information:

DC00250-□ □ PB 0A C 0 4
 (1) (2) (3) (4) (5) (6)(7)(8)

- (1): Series No
- (2): Schematic option: A B
- (3): Center pin diameter: H=2.0 I=2.35 J=2.5
- (4): Material of housing:
PB=PBT (Only)
- (5): Housing color:
0A=Black(Only)
- (6): Terminal plating
S=Silver(Ag)
T=Tin(Sn)
C=copper&tin alloy plating (Standard)
- (7): Special option
0: No special option
- (8): Packing mode:
4: Bag packing



□: TERMINAL NO.

SPECIFICATION

1. Rating : 30V 3.0A;
2. Contact resistance: $\leq 30m\Omega$;
3. Insulation resistance: $\geq 100M\Omega$ (DC250V);
4. Withstand voltage: 500VAC ;
5. Insertion and extraction force: 3-30N;
6. life test: 5,000 cycles.

Model No.	DC00250-__H	DC00250-__I	DC00250-__J
PIN	$\phi 2.0$	$\phi 2.35$	$\phi 2.5$

⑦	Washer	2	Bakelite	
⑥	Pin	1	Bronze	Ni-Plating
⑤	Bushing	1	Brass	Ni-Plating
④	Shunt Terminal	④	Brass	Cu-Sn-Plating
③	Tip Spring	②	Phosphor bronze	Cu-Sn-Plating
②	Center pin terminal	①	Brass	Cu-Sn-Plating
①	Housing	1	PBT	Black
NO.	DESCRIPTION	QTY	MATERIAL	PLATING
UNIT: MM	TYPE:	MODEL NO:	PAPER NO: A4 PAGE 1 OF 1	
	DC POWER JACK	DC00250-__PBOAS04	TOLERANCE	ANGLES SCALE VER
			±0.3	±2' FULL 2
DESIGNER BY:	Zhuohong 2008/10/17			
CHECK BY:				
APPROVED BY:				

HDC有限公司