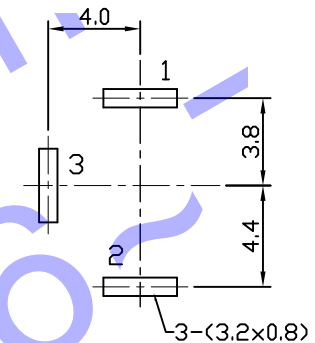
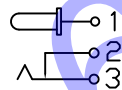


线路板开孔尺寸
P.C.B
LAYOUT



SCHMATIC



| | | | |
|-------|------|------|--|
| PIN | Ø2.0 | Ø2.5 | |
| APPD. | | | |

SPECIFICATION

1. Rating : DC 30V 0.5A;
2. Contact resistance: $\leq 0.03\Omega$;
3. Insulation resistance: $\geq 100M\Omega$ (DC250V);
4. Withstand voltage: 500VAC ;
5. Insertion and extraction force: 3-20N;
6. life test: 5,000 cycles.

| 6 | HOUSING | 1 | PA66 | |
|-----|--------------|-----|-----------|---------------|
| 5 | AXIS SUPPORT | 1 | BRASS | Ni-Plating |
| 4 | PIN | 1 | H59 BRASS | Ni-Plating |
| 3 | SPRING | 1 | BRONZE | Cu-Sn-Plating |
| 2 | | | | |
| 1 | FLAT PIECE | 1 | H62 BRASS | Cu-Sn-Plating |
| NO. | DESCRIPTION | QTY | MATERIAL | PLATING |

| | | | | | | |
|----------|---------|-----------|--------------|-----------------|-------------|-----|
| UNIT: MM | TYPE: | MODEL NO: | PAPER NO: A4 | | PAGE 1 OF 1 | |
| | DC JACK | DC-025M | TOLERANCE | ANGLES | SCALE | VER |
| | | | ± 0.15 | $\pm 1.5^\circ$ | 3:1 | 1 |

DESIGNER BY: _____
 CHECK BY: _____
 APPROVED BY: _____

H D C 有 限 公 司