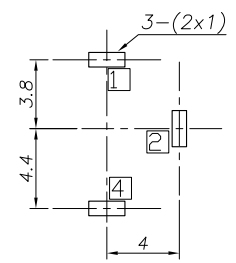
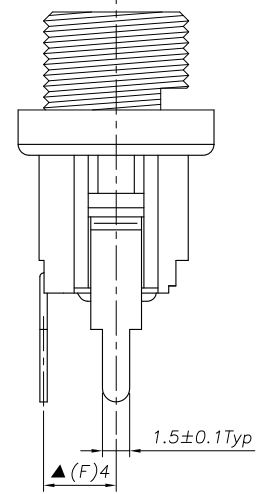
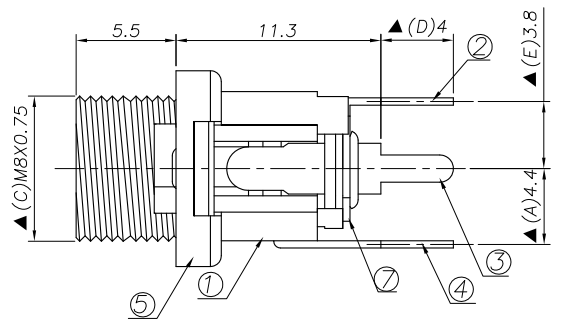
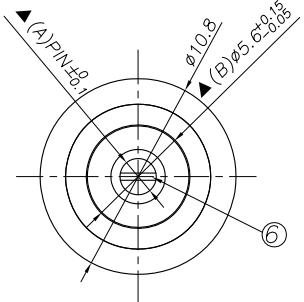


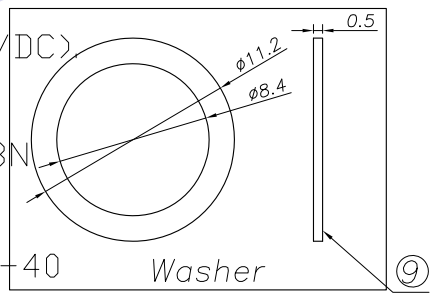
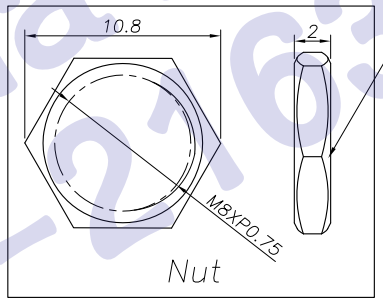
REV. LTR.	DESCRIPTION	SIGN	DATE



RECOMMENDED P. C. B. LAYOUT
UNSPECIFIED TOLERANCE: ±0.05
(BOTTOM VIEW)

Model NO.	DC0026M-A	DC0026M-B
Schematic		
	□: TERMINAL NO.	

Model No.	DC0026M--H	DC0026M--I	DC0026M--J
PIN	φ2.0	φ2.35	φ2.5



Ordering information:

DC0026M ? PB0AC 0 4

(1) (2) (3) (4) (5) (6) (7) (8)

(1) Series No

(2) Schematic option: A B

(3) Center pin diameter: H=2.0 I=2.35 J=2.5

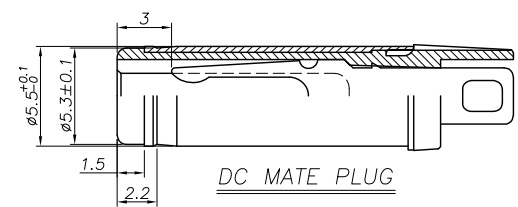
(4) Material of housing: PB=PBT

(5) Housing color: 0A=Black

(6) Terminal plating:
C=Copper&tin alloy plating

(7) Special option: 0=No special option

(8) Packing mode: 4=Bag packing



Specification:

1. Rating ? DC 30V 0.5A.
2. Contact resistance ? ≤30m?.
After test: ≤50m?
3. Insulation resistance ??100M? (500V DC)
After test: ?50M?
4. Withstanding voltage ?500VAC.
5. Insertion and extraction force ?30N ?3N
6. life test ?5000cycles min.
7. Operation temperature range ?-20
8. Preservative temperature range ?-55
9. Sign"? "is importance dimension.

NO.	DESCRIPTION	QTY	MATERIAL	REMARK
9	Washer-2	1	Spcc	Nickel plating
8	Nut	1	Copper alloy	Nickel plating
7	Washer-1	2	Bakelite	
6	Pin	1	Copper alloy	Nickel plating
5	Bushing	1	Copper alloy	Nickel plating
4	Shunt Terminal	4	Brass	Copper&tin plating
3	Tip Spring	2	Phosphor bronze	Copper&tin plating
2	Center pin terminal	1	Brass	Copper&tin plating
1	Housing	1	PA66	Black

UNIT:MM	TYPE:	MODEL NO:	PAPER NO: A4	PAGE 1 OF 1
	DC POWER	JAD0026M--_660A504	TOLERANCE ±0.3	ANGLES ±2°
DESIGNER BY:	Matt	2012.06.26	SCALE FULL	VER 3

CHECK BY:
APPROVED BY:

HDC有限公司