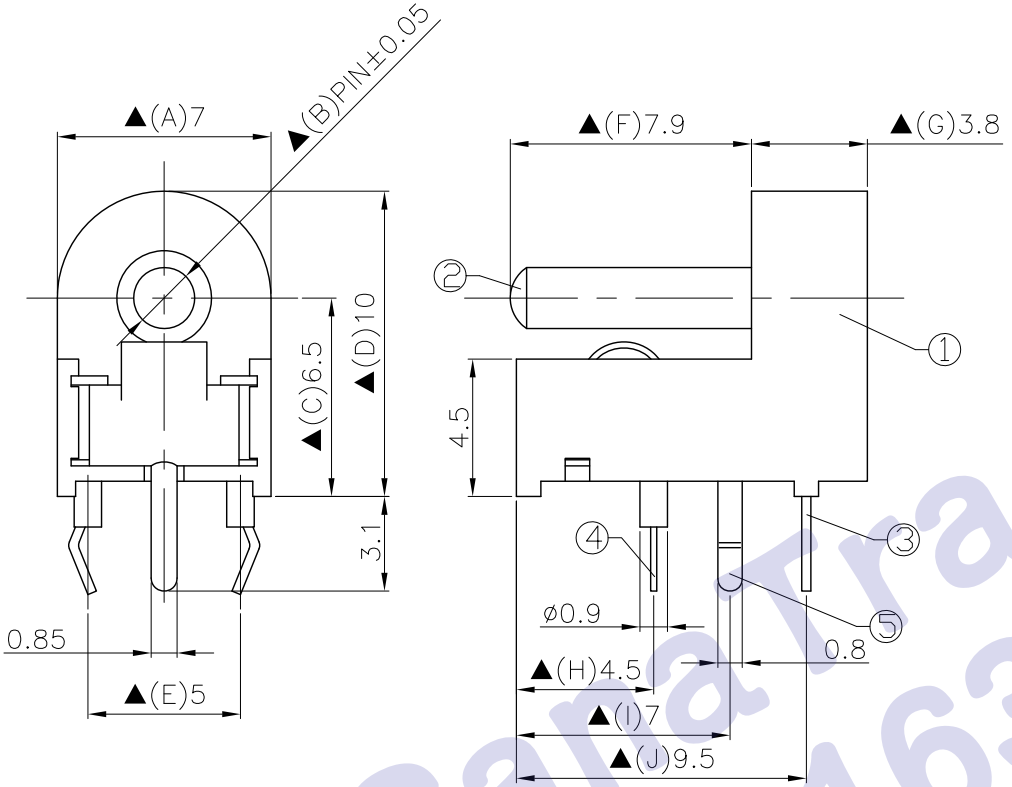


REV. LTR.	DESCRIPTION	SIGN	DATE

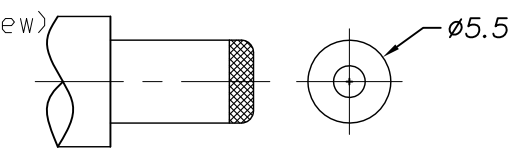
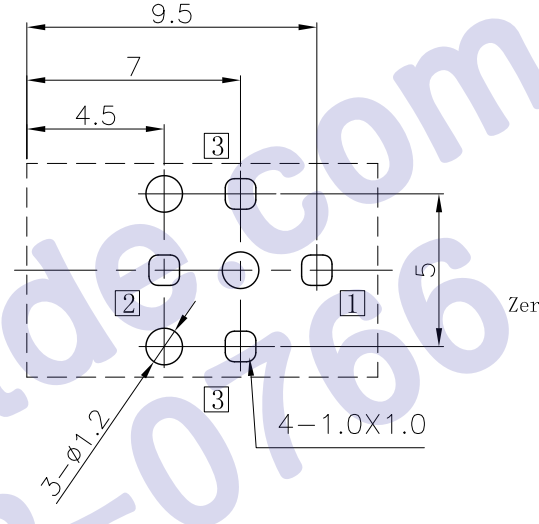


Ordering information:

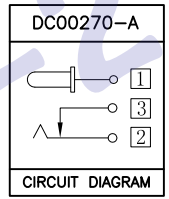
DC 0 0 2 7 0 - A □ 66 0A S 0 4

(1) (2) (3) (4) (5) (6) (7) (8) (9)

- (1):Series type:DC=DC POWER JACK
- (2):Series No.
- (3):Schematic option: A
- (4):Center pin diameter:  
H=∅2.0 ,J=∅2.5
- (5):Material of housing:  
66=PA66
- (6):Housing color:  
0A=Black
- (7):Terminal plating:  
S=Silver (Ag)
- (8):Special option:  
0=No special option
- (9):Packing mode:  
4=Bag packing



Model No.	DC00270- _H	DC00270- _J
PIN	∅2.0	∅2.5



□ : TERMINAL NO.

- SPECIFICATION
- Rating ? DC 20V 2A?
  - Contact resistance?? ≤ 30mΩ?
  - Insulation resistance?? 100MΩ (DC500V)?
  - Withstand voltage? 500VAC ?
  - Insertion and extraction force? 3-30N;
  - life test? 5,000 cycles;
  - Operation temperature range:-20°C? 70°C;
  - Preservative temperature range:-40°C? 85°C;
  - Sign"? "is importance dimension.

⑤	Shunt terminal	③	1	Brass t=0.3	Silver plating
④	Tip spring	②	1	Phosphor bronze t=0.25	Silver plating
③	Center pin terminal	①	1	Brass t=0.3	Silver plating
②	Center pin	①	1	Brass	Nickel plating
①	Housing		1	PA66+15%GF	Black

NO.	DESCRIPTION	QTY	MATERIAL	REMARK
UNIT: MM	TYPE:	MODEL NO:	PAPER NO: A4	PAGE 1 OF 1
	DC POWER JACK	DC00270-A_660AS04	TOLERANCE	ANGLES
DESIGNER BY:	Li Wenhui 2010.6.2		±0.3	±2°
CHECK BY:			SCALE	VER
APPROVED BY:			N/A	2

HDC有限公司