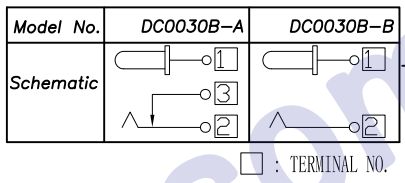
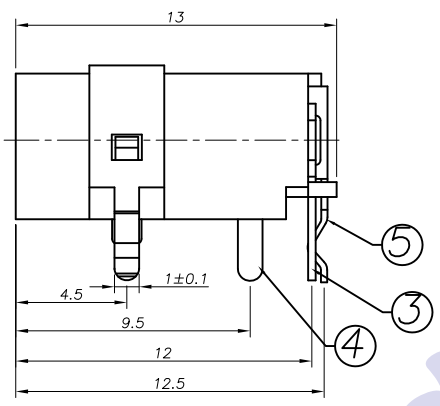
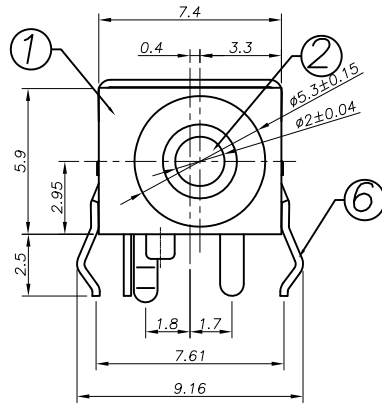
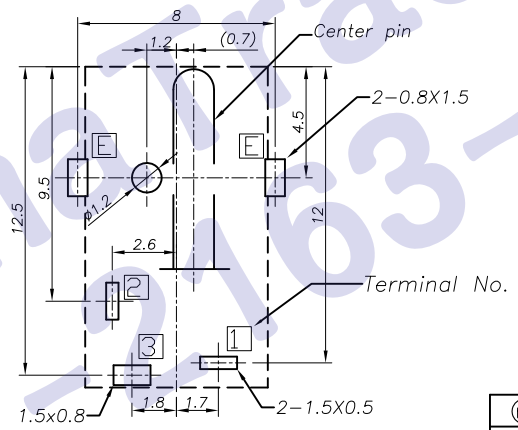
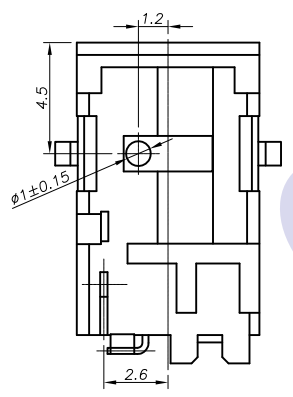


REV. LTR.	DESCRIPTION	SIGN	DATE

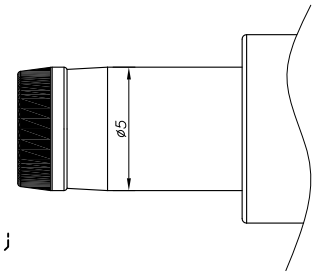


Ordering information:  
**DC0030B** H ?? ?? S 0 ?  
 (1) (2) (3) (4) (5) (6) (7) (8)

(1):Series No  
 (2):Schematic option: A B  
 (3):Center pin diameter:  
 H=2.0  
 (4):Material of housing:  
 PB=PBT  
 46=PA46 (Black)  
 (5):Housing color:  
 0A:Black (Standard)  
 Zero 4B:Yellow(0190)  
 (6):Terminal plating  
 S=Silver(Ag) (Standard)  
 T=Tin(Sn)  
 G=Gold(Au)  
 (7):Special option  
 0:No special option  
 (8):Packing mode:  
 1:Reel packing  
 3:Plastic box packing  
 4:Bag packing



P.C.B Layout  
(Copper-sided view)



NO.	DESCRIPTION	QTY	MATERIAL	PLATING
⑥	Shield plate	1	Brass 0.3t	Silver plating
⑤	Shunt terminal	1	Brass 0.25t	Silver plating
④	Tip spring	1	Phosphor bronze 0.3t	Silver plating
③	Center pin terminal	1	Brass 0.3t	Silver plating
②	Center pin	1	Brass	Nickel plating
①	Housing	1	PBT/PA46	Black

UNIT:MM	TYPE:	MODEL NO:	PAPER NO: A4	PAGE 1 OF 1
⊕	DC POWER JACK	DC0030B-	TOLERANCE ±0.3	ANGLES ±2°
DESIGNER BY:	Zhonghong	2009/8/19	SCALE	VER
CHECK BY:			FULL	3
APPROVED BY:				

SPECIFICATION  
 1.Rating ?DC 20V 3.0A?  
 2.Contact resistance?≤30m??  
 3.Insulation resistance??100M? (DC250V)?  
 4.Withstand voltage?500VAC ?  
 5.Insertion and extraction force?3-30N;  
 6.life test?5,000 cycles?

HDC有限公司