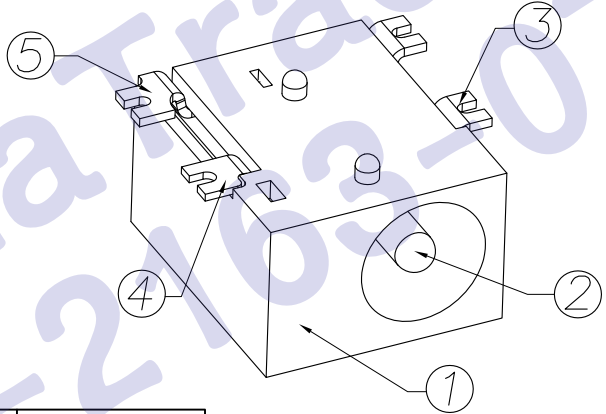
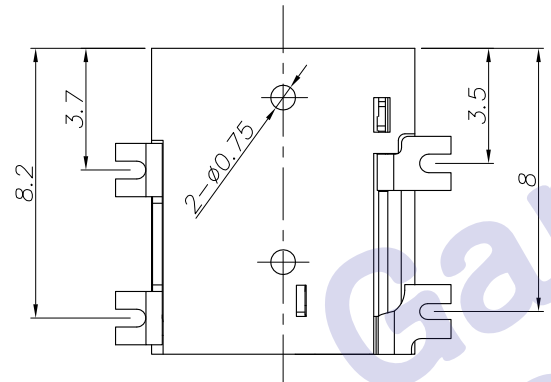
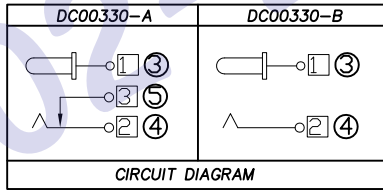


P.C.B Layout  
(Copper-sided view)



Model No.	DC00330- <u>C</u>	DC00330- <u>E</u>	DC00330- <u>G</u>
PIN	φ1.0	φ1.3	φ1.65



□ : TERMINAL NO. ○ : ITEM NO.

**SPECIFICATION**

1. Rating ? DC 18V 3A?
2. Contact resistance ≤30m?
3. Insulation resistance ≥100M? (DC250V)?
4. Withstand voltage ≥500VAC ?
5. Insertion and extraction force ≤25N;
6. life test ≥5,000 cycles

NO.	DESCRIPTION	QTY	MATERIAL	PART NO.	PLATING
⑤	Shunt terminal	1	Brass t=0.3	DC00330-03(WP-DC0021)	Ag-Plating
④	Tip spring	1	Bronze t=0.3	DC00330-02C/02G	Ag-Plating
③	Center pin contact	1	Bronze t=0.3	DC00330-01(WP-DC0023)	Ag-Plating
②	Center pin	1	Brass	DC00330-99C/99E/99G	Ni-Plating
①	Housing	1	PA9T, UL-94V-0	DC00330-S1	

UNIT:MM	TYPE:	MODEL NO:	PAPER NO: A4	PAGE 1 OF 1
	DC POWER JACK	DC00330- <u>---</u>	TOLERANCE	ANGLES
			±0.3	±2°
			SCALE	VER
			FULL	6

DESIGNER BY: Li Wenhui 2008.3.18  
CHECK BY:  
APPROVED BY:

**HDC有限公司**