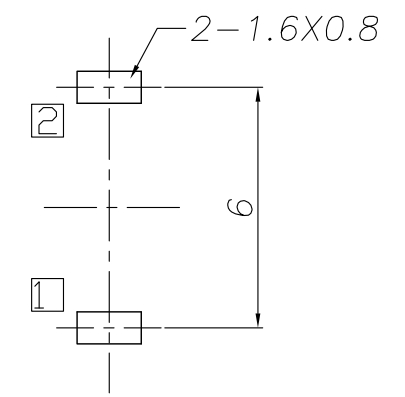
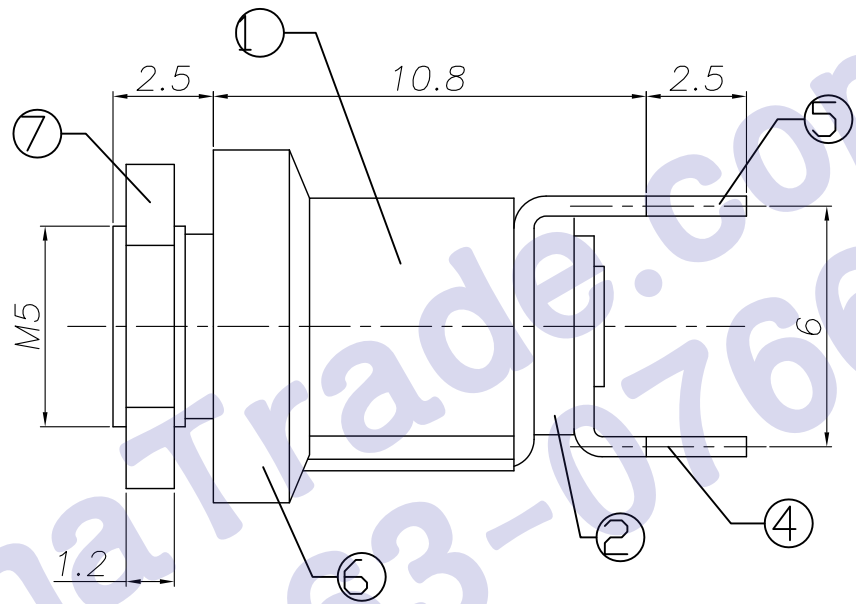
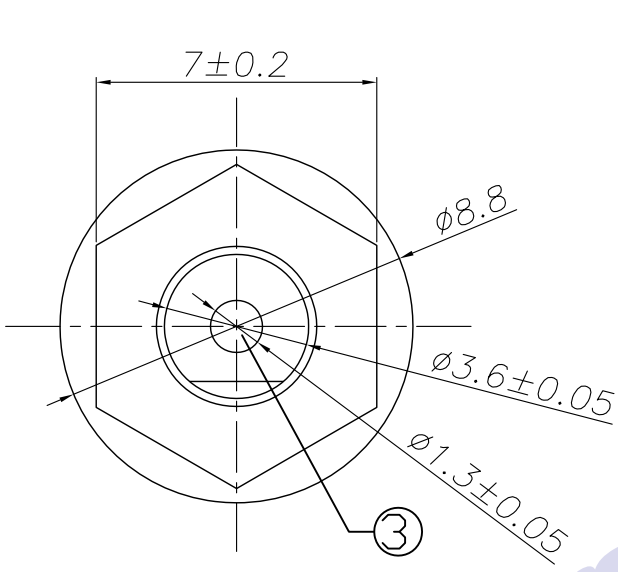
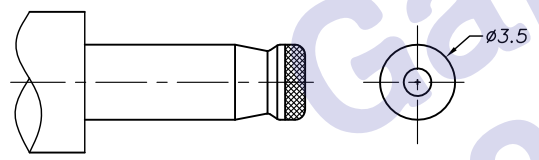


5	6	7	
REV. LTR.	DESCRIPTION	SIGN	DATE

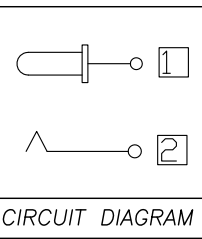


P.C.B Layout
Tolerance: ±0.05mm
(Copper-sided view)



DC MATE PLUG

DC00351-B



CIRCUIT DIAGRAM

□ : TERMINAL NO.

- SPECIFICATION
1. Rating ? DC 16V 2A?
 2. Contact resistance? ≤ 30mΩ?
 3. Insulation resistance?? 100MΩ (DC500V)?
 4. Withstand voltage? 500VAC ?
 5. Insertion and extraction force? 3-30N;
 6. life test? 5,000 cycles;
 7. Operation temperature range: -20°C? 70°C;
 8. Preservative temperature range: -40°C? 85°C;
 9. Sign"? "is importance dimension.

⑦	Nut	1	Brass	Nickel plating
⑥	Bushing	1	Brass	Nickel plating
⑤	Tip spring	② 1	Bronze t=0.5	Silver plating
④	Center pin terminal	① 1	Brass t=0.5	Silver plating
③	Center pin	① 1	Brass	Copper tin/Nickel plating
②	Cover	1	PF	
①	Housing	1	PC	

NO.	DESCRIPTION	QTY	MATERIAL	REMARK
UNIT: MM	TYPE:	MODEL NO:	PAPER NO: A4	PAGE 1 OF 1
	DC POWER JACK	DC00351	TOLERANCE	ANGLES
			±0.3	±2°
			SCALE	VER
			FULL	1

DESIGNER BY: Li Wenhui 2009.12.24
CHECK BY:
APPROVED BY:

HDC有限公司