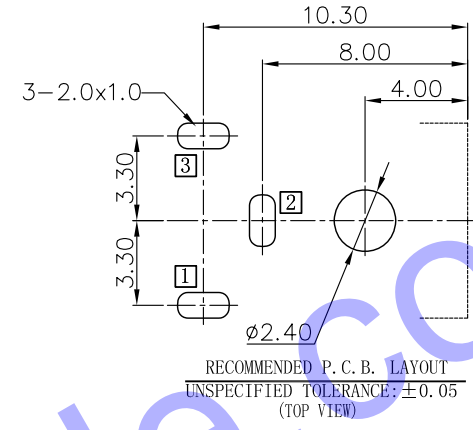
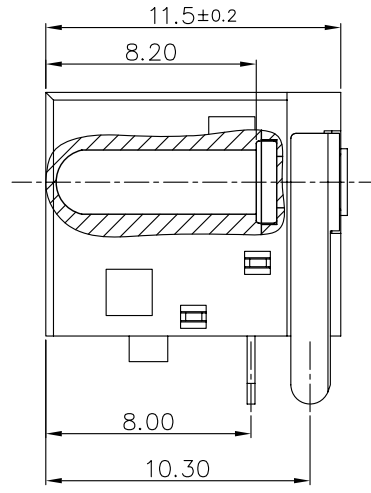
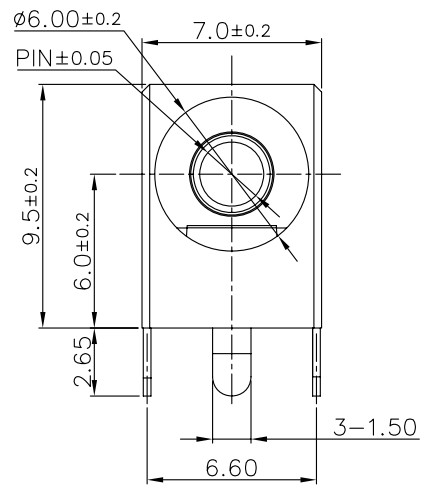
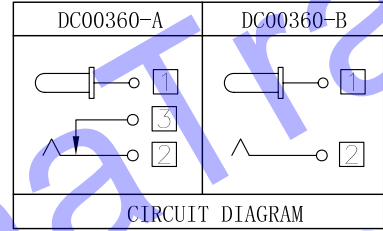
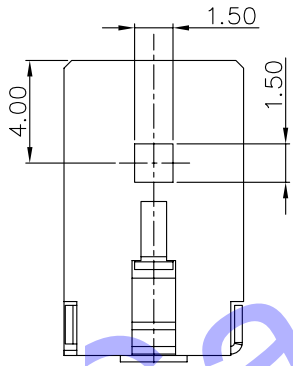


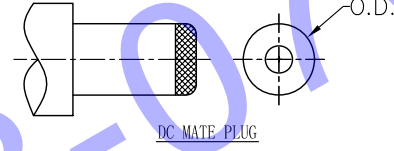
REV.	Q' TY	ECN. NO.	REASON&CONTENTS	SIGN	DATE
△	1		Add to housing color.	PJ	2018-2-7



Ordering information:
 DC00360- □ □ PB □ □ S 0 4
 (1) (2) (3) (4) (5) (6) (7) (8)
 (1):Series No.
 (2):Schematic option: A, B
 (3):Center pin diameter:
 G=□1.65, H=□2.0, I=□2.35, J=□2.5
 (4):Material of housing:
 PB=PBT (Standard)
 (5):Housing color:
 0A=Black
 8A=Gray (0144)
 4K=Yellow (XH1221)=PBT4815△
 (6):Terminal plating:
 S=Silver (Ag)
 (7):Special option:
 0=No special option
 (8):Packing mode:
 4=Bag packing

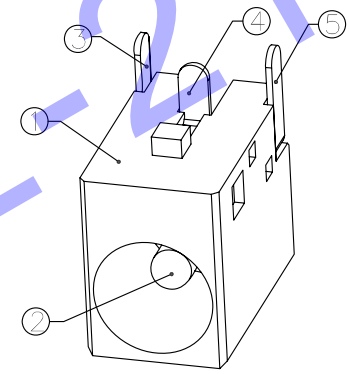


□ : TERMINAL NO.



Model No.	DC00360-_G	DC00360-_H	DC00360-_I	DC00360-_J
PIN	Ø1.65	Ø2.0	Ø2.35	Ø2.5
DC MATE PLUG	Ø4.75	Ø5.5	Ø5.5	Ø5.5

Specification:
 1. Rating : DC 20V 3A;
 2. Contact resistance: ≤50mΩ;
 After test: ≤100mΩ
 3. Insulation resistance: ≥100MΩ (500VDC);
 After test: ≥50MΩ
 4. Withstand voltage: 500VAC ;
 5. Insertion and extraction force: 3N~30N;
 6. life test: 5000cycles ;
 7. Operation temperature range: -20℃~70℃
 8. Preservative temperature range: -40℃~85℃



⑤ Shunt terminal	3	1	Brass	Ag Plating
④ Tip spring	2	1	SUS301-1/2H	Ag Plating
③ Center pin terminal	1	1	Brass	Ag Plating
② Center pin		1	H65	Ni Plating
① Housing		1	PBT4815, UL 94V-0	See P/N ordering info
NO.	DESCRIPTION	Q' TY	MATERIAL	REMARK

THIS DOCUMENT IS THE SOLE PROPERTY OF Bsun ELECTRONICS CO., LTD. AND SHOULD NOT BE USED IN WHOLE OR INPART WITHOUT PRIOR WRITTEN PERMISSION.	UNIT: MM	TOLERANCE	TYPE:	MODEL NO:	DRAWING TYPE:	
		DIMENSIONS	ANGLES	DC00360-_ _PB_ _S04	CUSTOMER DRAWING	
		.X ±0.50	.X ±5°	DC Power Jack	DRAWING No:	SCALE: VER. : PAGE:
		.XX ±0.30	.X ±3°		BSCR-0000-****	N/A A0 1/1
	.XXX ±0.15	.XX ±2°				
	DESIGNER BY:	H D C 有限公司				
	CHECK BY:					
	APPROVED BY:					