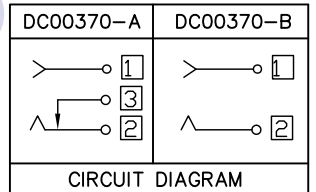
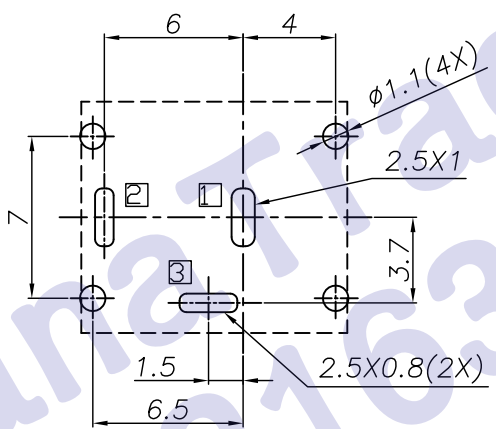


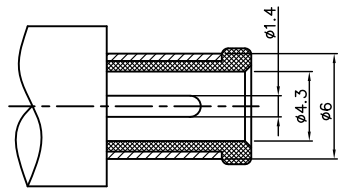
REV. LTR.	DESCRIPTION	SIGN	DATE
▲	Update drawing	Zhangxiuke	2011. 5. 5.
▲ x1	Add PA66 material	Tiger	2011. 8. 5.

Ordering information:  
 DC00370 F ?? 0AS04  
 ? ? ? ? ? ?(8)

- (1):Series No.
- (2):Schematic option: A,B
- (3):Center hole diameter:  
~~1.45~~
- (4):Material of housing:  
PB=PBT,66=PA66
- (5):Housing color:  
0A=Black (Standard)
- (6):Terminal plating  
S=Silver(Ag)
- (7):Special option:  
0=No special option
- (8):Packing mode:  
4=Bag packing



□ : TERMINAL NO.



- SPECIFICATION
1. Rating:DC 30V 2A.
  2. Contact resistance: $\leq 30m\Omega$ .  
After test: $\leq 50m\Omega$ .
  3. Insulation resistance; $\geq 100M\Omega$ ;(DC500V).  
After test: $\geq 50M\Omega$ .
  4. Withstanding voltage:500VAC.
  5. Insertion and extraction force:3-30N.
  6. Life test 5000 cycles.
  7. Operation temperature range:-20°C~70°C.
  8. Preservative temperature range:-40°C~85°C.
  9. Sign"▲"is importance dimension.

NO.	DESCRIPTION	QTY	MATERIAL	PART NO.	REMARK
④	Shunt terminal ③	1	Brass t0.4	DC00370-03	Silver plating
③	Tip spring ②	1	Phosphor bronze t0.3	DC00370-02	Silver plating
②	Center pin ①	1	Phosphor bronze t0.6	DC00370-01	Silver plating
①	Housing	1	PBT,PA66	DC00370-S1	Black

UNIT:MM	TYPE:	MODEL NO:	PAPER NO: A4	PAGE 1 OF 1
⊕	DC POWER JACK	DC00370-_F_ _0AS04	TOLERANCE	ANGLES
			±0.3	±2°
			SCALE	VER
			N/A	03

DESIGNER BY: Tiger 2011.8.5  
 CHECK BY: Matt 2011.8.5  
 APPROVED BY: Ocean 2011.8.5

HDC有限公司