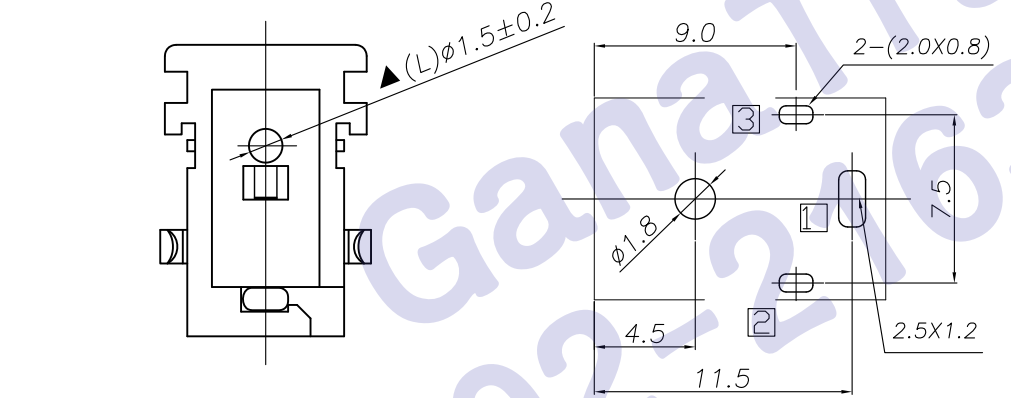
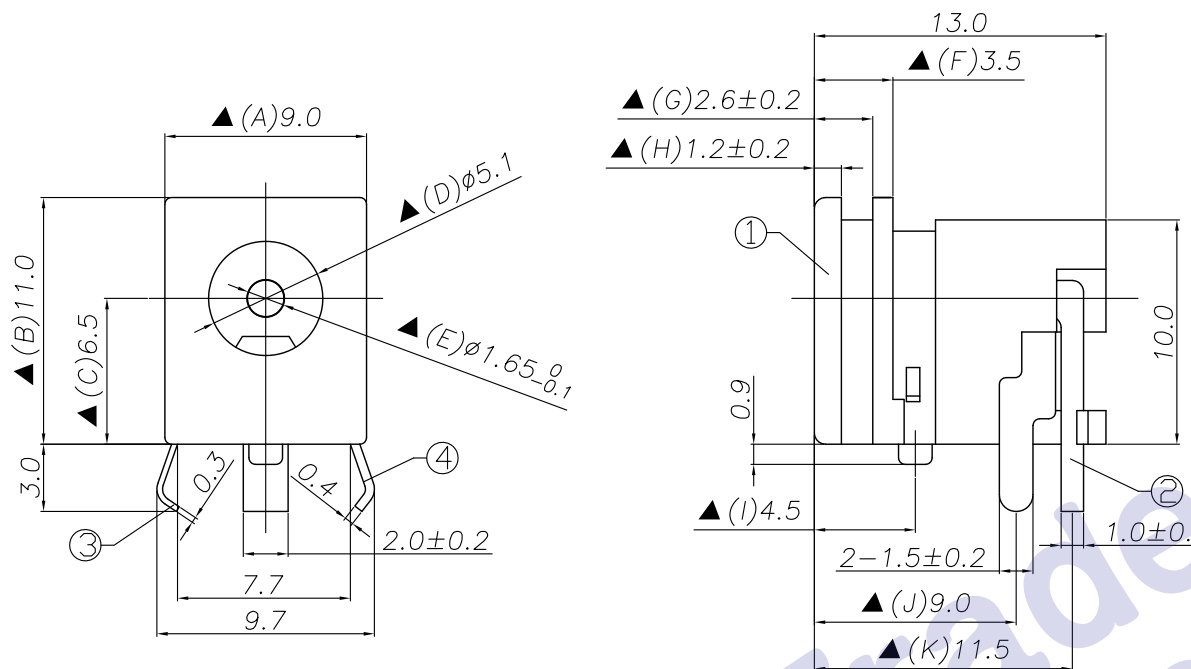


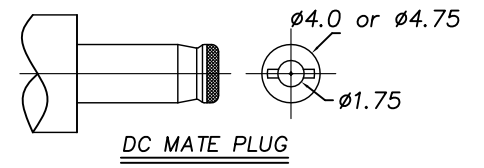
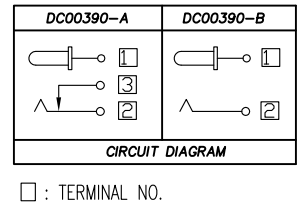
REV. LTR.	DESCRIPTION	SIGN	DATE



Ordering information:

DC 0 0 3 9 0 - □ G PB □ □ S □ 4
 (1) (2) (3) (4) (5) (6) (7) (8) (9)

(1): Series type: DC=DC POWER JACK
 (2): Series No.
 (3): Schematic option:
 A、B
 (4): Center pin diameter:
 G= $\phi 1.65$
 (5): Material of housing:
 PB=PBT (Standard)
 (6): Housing color:
 0A=Black(426C), 4A=Yellow(0020)
 (7): Terminal plating:
 S=Silver(Ag)
 (8): Special option:
 0= Circle needle
 1= Even needle
 (9): Packing mode:
 4=Bag packing



Specification:

- Rating : DC 20V 2A.
- Contact resistance: $\leq 30m\Omega$.
After test: $\leq 50m\Omega$.
- Insulation resistance: $\geq 100M\Omega$ (500VDC).
After test: $\geq 50M\Omega$.
- Withstanding voltage: 500VAC.
- Insertion and extraction force: 3N~30N.
- Life test: 5000 cycles min.
- Operation temperature range: $-20^{\circ}C \sim 70^{\circ}C$.
- Preservative temperature range: $-40^{\circ}C \sim 85^{\circ}C$.
- Sign"▲" is importance dimension.

RECOMMENDED P.C.B. LAYOUT
 UNSPECIFIED TOLERANCE: ± 0.05
 (BOTTOM VIEW)

④	Shunt terminal	③	1	Brass t=0.4	DC00390-03	Silver plating			
③	Tip spring	②	1	Phosphor bronze t=0.3	DC00390-02	Silver plating			
②	Center pin	①	1	Brass	DC00390-99G	Silver plating			
①	Housing		1	PBT	DC00390-S1				
NO.	DESCRIPTION	QTY	MATERIAL		PART NO.	REMARK			
UNIT: MM		TYPE:		MODEL NO:		PAPER NO: A4	PAGE 1 OF 1		
		DC POWER JACK		DC00390- GPB _S_4		TOLERANCE	ANGLES	SCALE	VER
DESIGNER BY:		Matt 2012.09.13				± 0.3	$\pm 2^{\circ}$	FULL	6
CHECK BY:		Mei 2012.09.13				HDC有限公司			
APPROVED BY:		Ocean 2012.09.13							