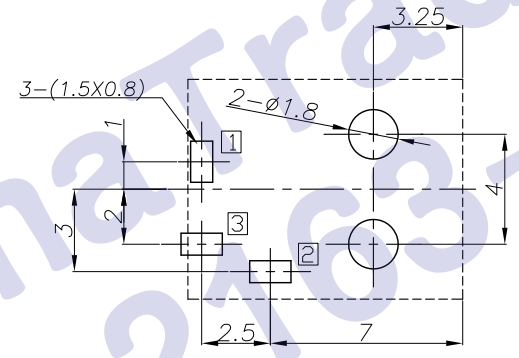
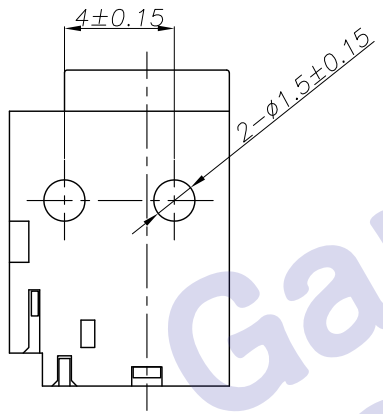
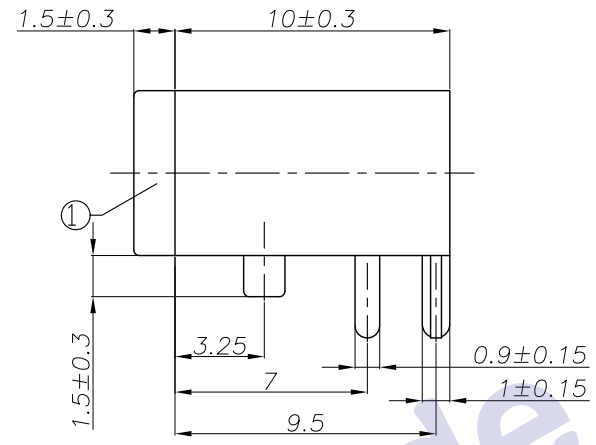
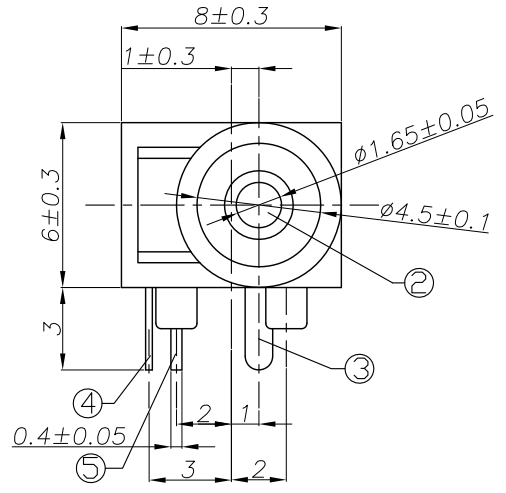
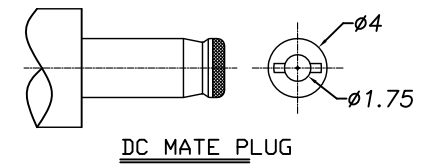
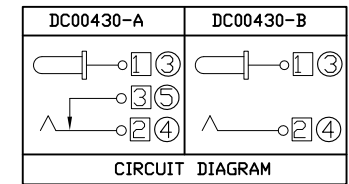


REV.	Q'TY	ECN. NO.	REASON&CONTENTS	SIGN	DATE
02				Li Wenhui	9/10' 08
03			UPDATE DRAWING	Ocean	10/29' 11



- DC00430-0?? ?? ? ? ? ?
 ① Series type: DC=DC POWER JACK
 ② Series No.
 ③ Schematic option:
 A B
 ④ Center pin diameter:
 G=∅1.65
 ⑤ Material of housing:
 PB=PBT (Standard)
 ⑥ Housing color:
 0A=Black (Standard)
 ⑦ Terminal plating:
 S=Silver(Ag)
 ⑧ Special option:
 0=No special option
 ⑨ Packing mode:
 4=Bag packing



RECOMMENDED P.C.B. LAYOUT
 UNSPECIFIED TOLERANCE: ±0.05
 (TOP VIEW)

□: TERMINAL NO. ○: ITEM NO.

NO	DESCRIPTION	Q'TY	MATERIAL	PART NO.	REMARK
⑤	Shunt terminal	3	1	Copper Alloy	DC00430-03(WP-Silver)
④	Tip spring	2	1	Copper Alloy	DC00430-02(TP-Silver)
③	Center pin terminal	1	1	Copper Alloy	DC00430-01(CP-Silver)
②	Center pin	1	1	Copper Alloy	DC00430-99G Copper&tin alloy/Ni
①	Housing	1	1	Thermoplastic	DC00430-S1(ST-65)Black

Specification:
 1. Rating? DC 30VA.
 2. Contact resistance ≤30m?
 After test: ≤50m?
 3. Insulation resistance ≥100M? (500VDC).
 After test: ?50M?
 4. Withstanding voltage 500VAC.
 5. Insertion and extraction force 3N-30N.
 6. Life test 5000cycles min.
 7. Operation temperature range: -20~70?
 8. Preservative temperature range: -40??85?.

THIS DOCUMENTS THE SOLE PROPERTY OF BSC ELECTRONICS CO., LTD. AND SHOULD NOT BE USED IN WHOLE OR IN PART WITHOUT PRIOR WRITTEN PERMISSION.	UNIT:MM	TOLERANCE	TYPE:	MODEL NO:	DRAWING TYPE:
		DIMENSIONS ANGLES	DC POWER JACK	DC00430-_GPB0AS04	CUSTOMER DRAWING
		X ±0.50 X ±5°		DRAWING No:	SCALE: VER.: PAGE:
		XX ±0.30 X ±3°		BSCR-0000-0045	N/A 03 1/1
	XXX±0.15 .XX ±2°		DESIGNER BY: Ocean 2011-10-29	<h1>HDC有限公司</h1>	
	CHECK BY:				
	APPROVED BY:				