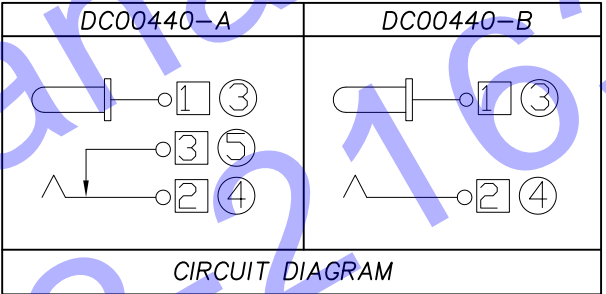
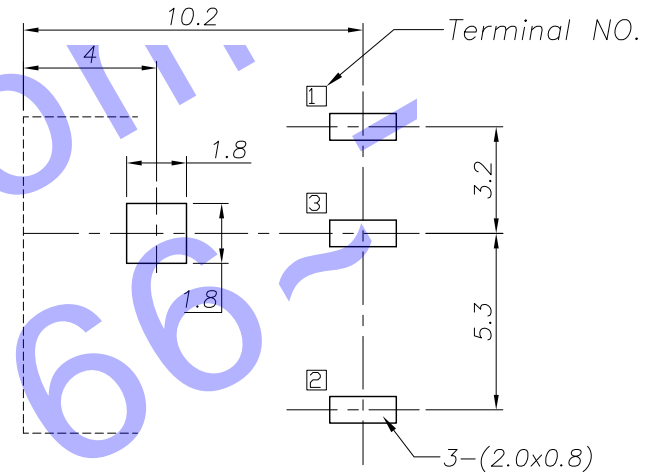
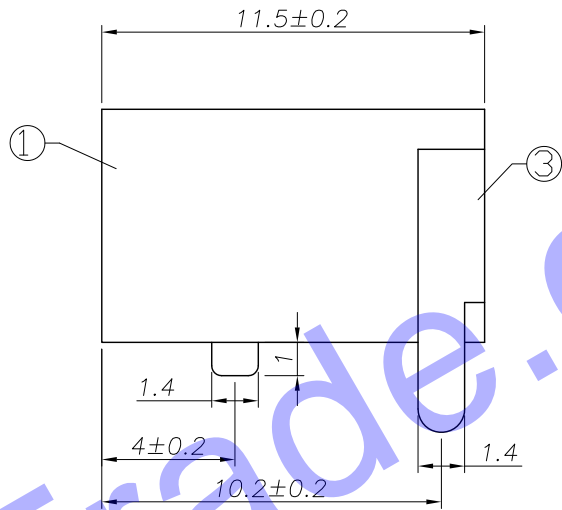
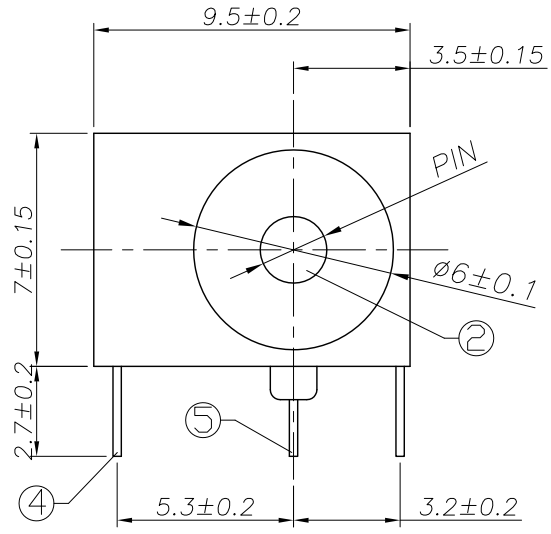


P.C.B Layout
(Copper-sided view)



□ : TERMINAL NO. ○ : ITEM NO.

Model No.	DC00440- _G	DC00440- _H	DC00440- _J
PIN	ø1.65	ø2.0	ø2.5

- SPECIFICATION**
- Rating ? DC 30V 2.0A?
 - Contact resistance ≤30mΩ ?
 - Insulation resistance ≥100MΩ (DC250V)?
 - Withstand voltage ≥500VAC ?
 - Insertion and extraction force 2-3N;
 - life test ≥5,000 cycles

⑤	Shunt terminal	1	Brass	DC00440-03 (WP-627)	Ag-Plating		
④	Tip spring	1	Bronze	DC00440-02 (TP-628)	Ag-Plating		
③	Center pin contact	1	Brass	DC00440-01 (JA-629)	Ag-Plating		
②	Center pin	1	Brass	DC00440-99 (YZ-632)	Ni-Plating		
①	Housing	1	PBT	DC00440-S1			
NO.	DESCRIPTION	QTY	MATERIAL	PART NO.	PLATING		
UNIT:MM	TYPE:	MODEL NO:		PAPER NO: A4	PAGE 1 OF 1		
	DC POWER JACK	DC00440- _		TOLERANCE	ANGLES	SCALE	VER
				±0.3	±2°	FULL	1

DESIGNER BY: Dengtao 2008.2.14
CHECK BY:
APPROVED BY:

HDC有限公司