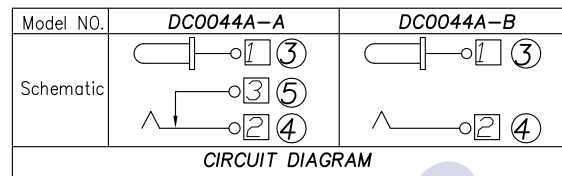
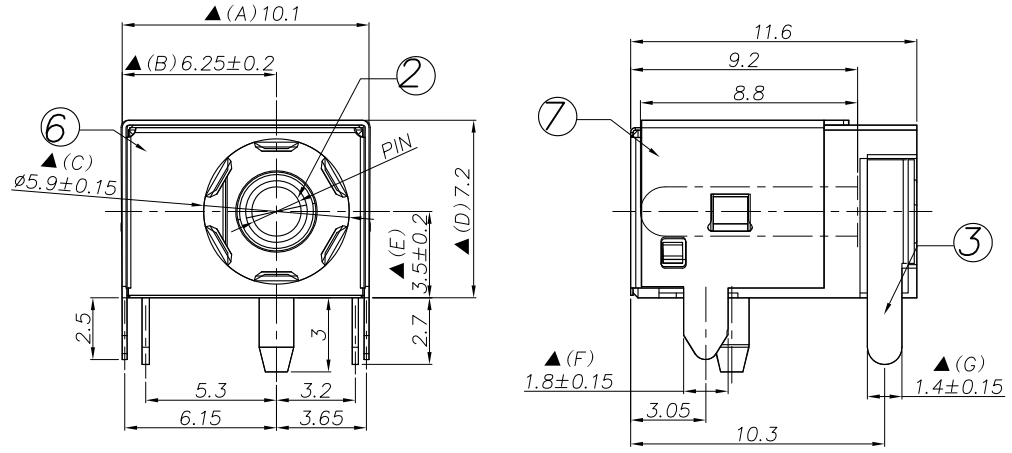
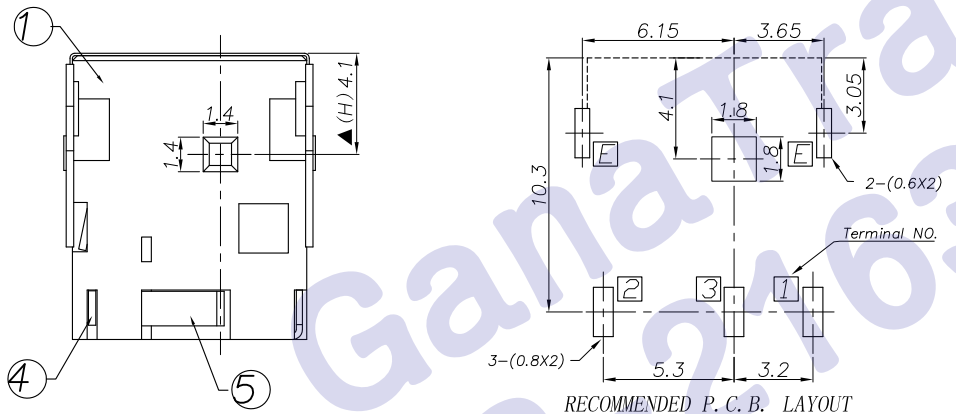
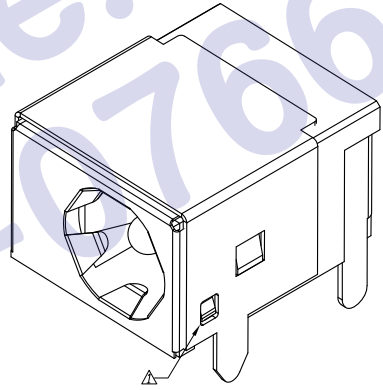


REV.	LTR.	DESCRIPTION	SIGN	DATE

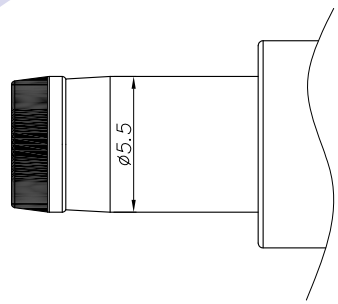


Model No.	DC0044A- <u>G</u>	DC0044A- <u>H</u>	DC0044A- <u>J</u>
PIN	ø1.65	ø2.0	ø2.5

Ordering information:
 DC0044A-□□□□□□□□□□
 ①: Series No
 ②: Schematic option: A B
 ③: Center pin diameter:
 G=1.65 H=2.0 J=2.5
 ④: Material of housing:
 9T=PA9T (Standard) PB=PBT
 ⑤: Housing color: 0A=Black (Only)
 ⑥: Terminal plating:
 S=Silver (Ag) (Standard)
 T=Tin (Sn) G=Gold (Au)
 ⑦: Special option:
 0: No special option
 ⑧: Packing mode:
 1: Reel packing
 3: Plastic box packing
 4: Bag packing



RECOMMENDED P. C. B. LAYOUT
 UNSPECIFIED TOLERANCE: ±0.05
 (COPPER-SIDED VIEW)



Specification:
 1. Rating ?DC 25V 3.0A?
 2. Contact resistance? ≤50m??
 After test: ≤100m?
 3. Insulation resistance??100M? (500VDC)?
 After test: ?50M?
 4. Withstand voltage?500VAC ?
 5. Insertion and extraction force?3N
 6. life test?5000cycles min?
 7. Operation temperature range?0?20
 8. Preservative temperature range? -40
 9. Sign? "is importance dimension

NO.	DESCRIPTION	QTY	MATERIAL	PART NO.	PLATING
⑦	Ground shield	1	Phosphor Bronze t=0.2	DC0044A-E1 (JA-974)	Ni-Plating
⑥	Shield plate	1	Stainless steel	DC0044A-W1 (JA-975)	Ni-Plating
⑤	Shunt terminal	1	Brass t=0.3	DC00440-03 (WP-627)	Ag-Plating
④	Tip spring	1	Phosphor Bronze t=0.3	DC00440-02 (TP-628)	Ag-Plating
③	Center pin contact	1	Brass t=0.25	DC00440-01 (JA-629)	Ag-Plating
②	Center pin	1	Brass	DC00440-99G (YZ-631) DC00440-99H (YZ-630) DC00440-99J (YZ-632)	Ni-Plating
①	Housing	1	PBT/PA9T	DC0044A-S1 (ST-973)	
UNIT:MM	TYPE:	MODEL NO:	PAPER NO: A4	PAGE 1 OF 1	
⊕	DC POWER	DC0044A-_-_-_-0A	TOLERANCE	ANGLES	SCALE
			±0.3	±2°	FULL
DESIGNER BY:	Pngdong Xiao 2011.03.22				
CHECK BY:					
APPROVED BY:					

HDC有限公司