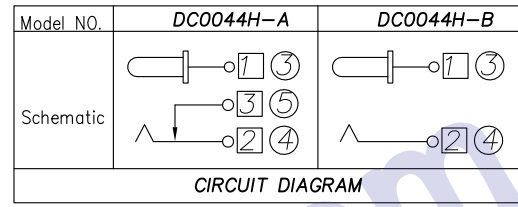
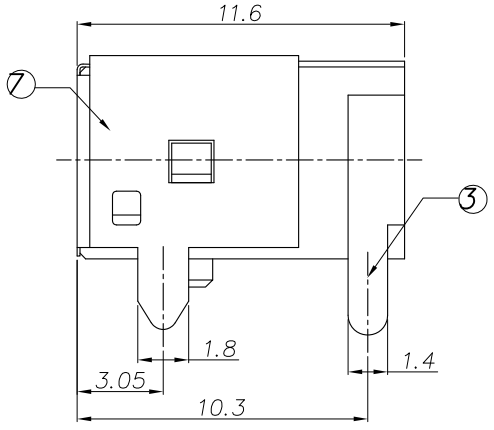
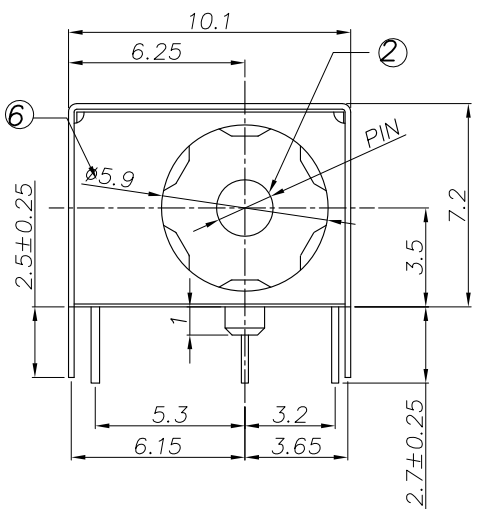


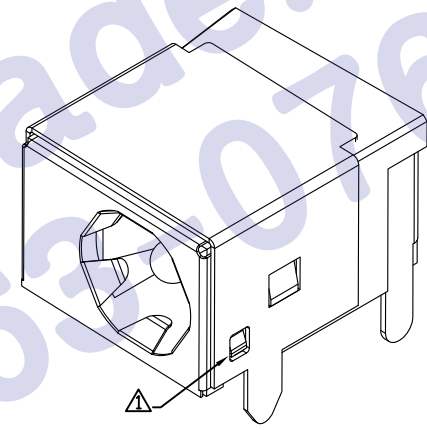
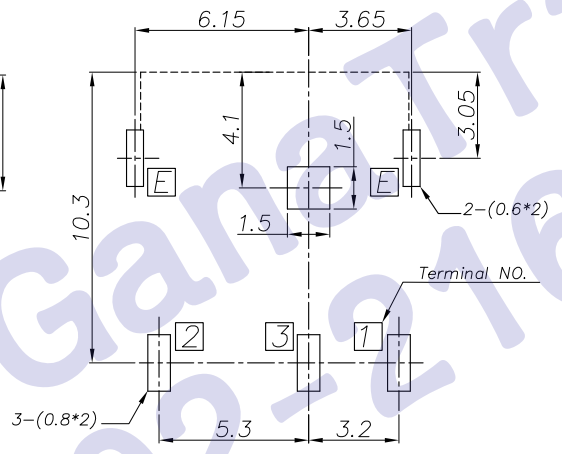
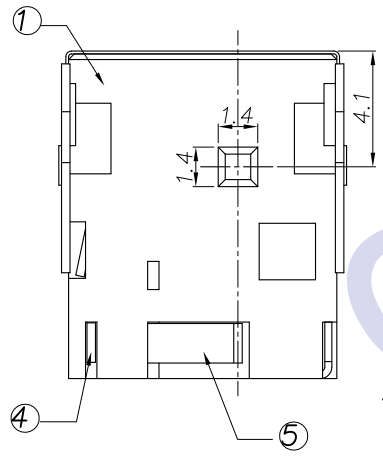
REV. LTR.	DESCRIPTION	SIGN	DATE
Δx1	Change the ground shield	ZhuHong	2008.06.11



□: TERMINAL NO. ○: ITEM NO.

Model No.	DC0044H- _G	DC0044H- _H	DC0044H- _J
PIN	Ø1.65	Ø2.0	Ø2.5

- Ordering information:
DC0044H- ? ? ?? ?? ? ??
 ? ① ② ③ ④ ⑤ ⑥ ⑦ ⑧
 ①:Series No
 ②:Schematic option: A B
 ③:center pin diameter:
 G=1.65, H=2.0, J=2.5
 ④:Material of housing:
 P6=PA66,9T=PA9T
 ⑤:Housing color:
 0A=Black(Only)
 ⑥:Terminal plating
 S=Silver(Ag) (Standard)
 T=Tin(Sn)
 G=Gold(Au)
 ⑦:Special option
 00:No special option
 ⑧:Packing mode:
 1:Reel packing
 3:Plastic box packing
 4:Bag packing



⑦	Ground shield	1	Phosphor Bronze	DC0044A-E1 (JA-974)	Ni-Plating
⑥	shield plate	1	Stainless steel	DC0044A-W1 (JA-975)	Ni-Plating
⑤	Shunt terminal	1	Brass	DC00440-03(WP-627)	Ag-Plating
④	Tip spring	1	Stainless steel	DC00440-02(TP-628)	Ag-Plating
③	Center pin contact	1	Brass	DC00440-01(JA-629)	Ag-Plating
②	Center pin	1	Brass	DC00440-99G (YZ-631) DC00440-99H (YZ-630) DC00440-99J (YZ-632)	Ni-Plating
①	Housing	1	PA9T	DC0044H-S1(ST-973)	

NO.	DESCRIPTION	QTY	MATERIAL	PART NO.	PLATING
UNIT:MM	TYPE:	MODEL NO:	PAPER NO: A4	PAGE 1 OF 1	
	DC POWER JACK	DC0044H- _0AS00	TOLERANCE	ANGLES	SCALE VER
			±0.3	±2°	FULL 2

DESIGNER BY: ?? 2008/6/10
 CHECK BY:
 APPROVED BY:

HDC有限公司

- SPECIFICATION**
 1.Rating ?DC 25V 3.0A?
 2.Contact resistance?≤30mΩ?
 3.Insulation resistance??100MΩ (DC250V)?
 4.Withstand voltage?500VAC ?
 5.Insertion and extraction force?3-30N;
 6.life test?5,000 cycles?