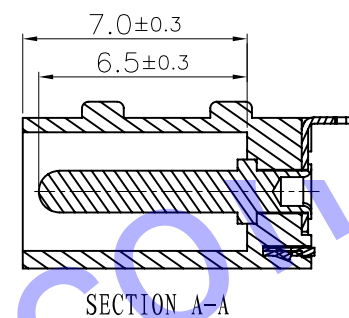
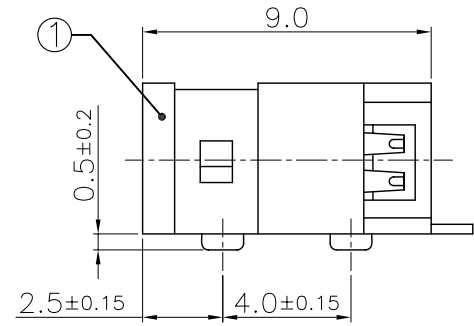
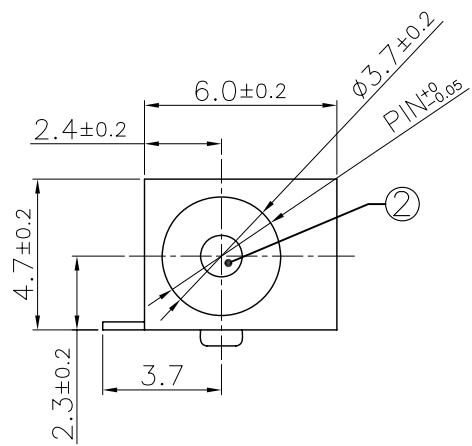
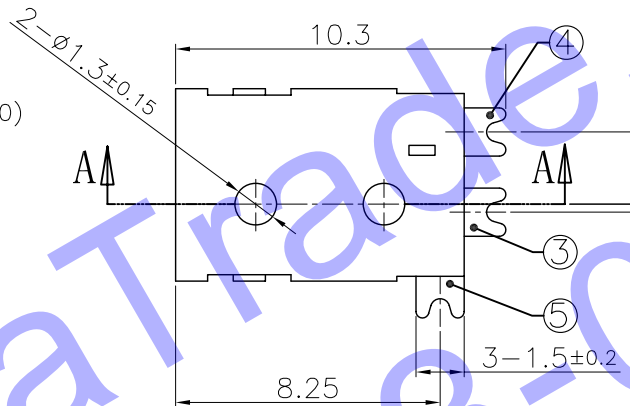
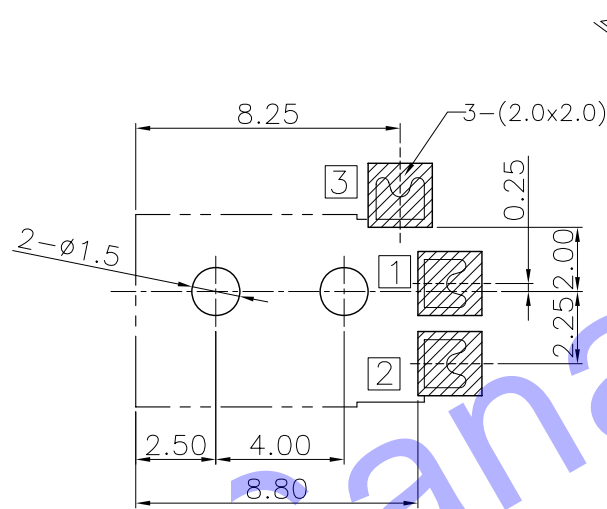


REV.	Q'TY	ECN. NO.	REASON&CONTENTS	SIGN	DATE
01	0		Update drawing	Matt	2012.09.13
	1		Increase packing according to customer's requirement	PJ	2016.05.10



Ordering information:
 DC00450-□ □ LC OA □ □ □ □
 (1) (2) (3) (4) (5) (6) (7) (8)
 (1):Series No.
 (2):Schematic option: A、B
 (3):Center pin diameter:
 C=φ1.0, E=φ1.3
 (4):Material of housing:
 LC=LCP
 (5):Housing color:
 Zero OA=Black
 (6):Terminal plating:
 S=Silver (Ag), G=Gold (Au)
 (7):Special option:
 0=No special option
 ΔW=Reel is white plastic plate
 (8):Packing mode:
 1=Reel packing
 3=Plastic box packing

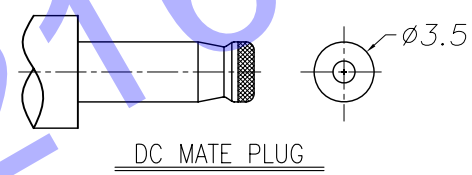


Model No.	DC00450-A	DC00450-B
Schematic		
CIRCUIT DIAGRAM		

□ : TERMINAL NO.

Model No.	DC00450-__C	DC00450-__E
PIN	φ1.0	φ1.3

RECOMMENDED P.C.B. LAYOUT
 UNSPECIFIED TOLERANCE: ±0.05
 (TOP VIEW)



⑤	Shunt Terminal	3	1	Brass	Silver plating
④	Tip spring	2	1	Beryllium bronze	Silver plating
③	Center pin terminal	1	1	Brass	Silver plating
②	Center pin	1	1	Brass	CuSn plating
①	Housing		1	HIGH TEMP. Thermoplastic	Black, UL94 V-0
NO.	DESCRIPTION	Q'TY		MATERIAL	REMARK

Specification:

- Rating : DC 12V 1A;
- Contact resistance: ≤30mΩ;
After test: ≤50mΩ
- Insulation resistance: ≥100MΩ (500VDC);
After test: ≥50MΩ
- Withstanding voltage: 500VAC;
- Insertion and extraction force: 3N~30N;
- life test: 5000cycles min;
- Operation temperature range: -20°C~70°C
- Preservative temperature range: -40°C~85°C

THIS DOCUMENT IS THE SOLE PROPERTY OF Bsun ELECTRONICS CO., LTD. AND SHOULD NOT BE USED IN WHOLE OR INPART WITHOUT PRIOR WRITTEN PERMISSION.	UNIT:MM	TOLERANCE		TYPE:	MODEL NO:	DRAWING TYPE:		
		DIMENSIONS	ANGLES	DC POWER JACK	DC00450-__LCOA__	CUSTOMER DRAWING		
		.X ±0.50	X ±5°		DRAWING No:	SCALE:	VER.:	PAGE:
		.XX ±0.30	.X ±3°		BSCR-0000-0317	N/A	A0	1/1
		.XXX ±0.15	.XX ±2°					
	DESIGNER BY:				H D C 有限公司			
	CHECK BY:							
	APPROVED BY:							