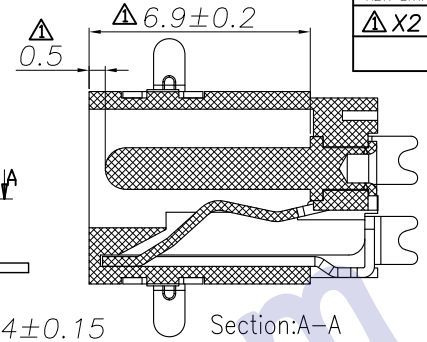
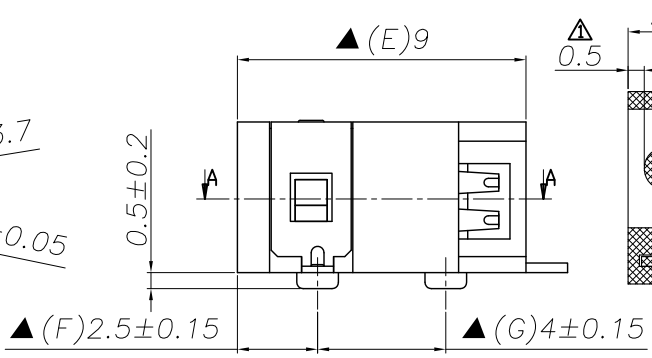
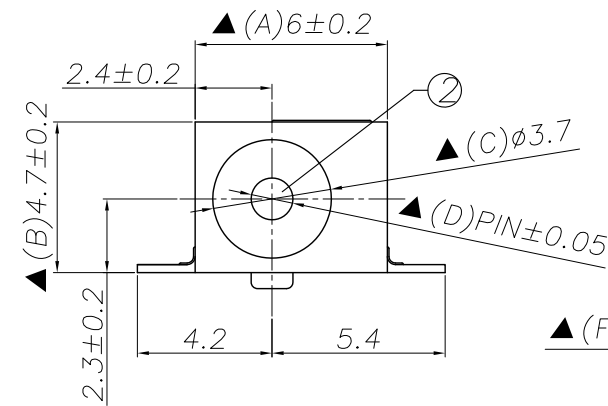
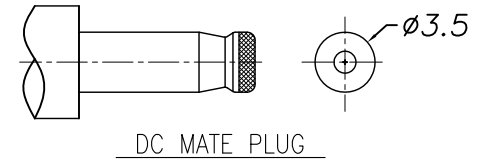
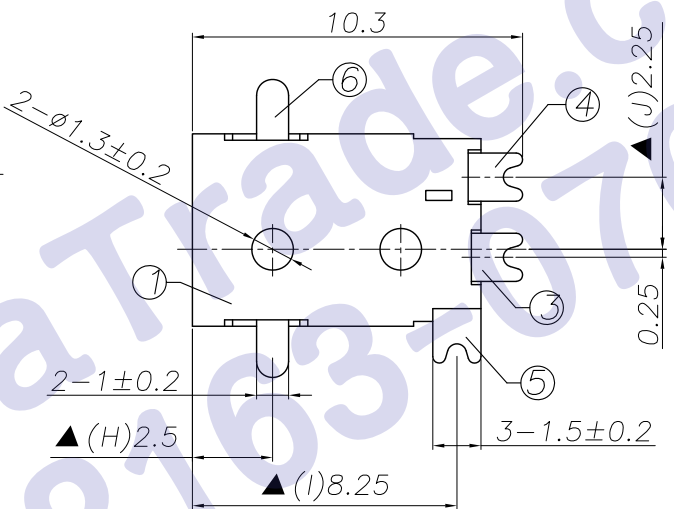
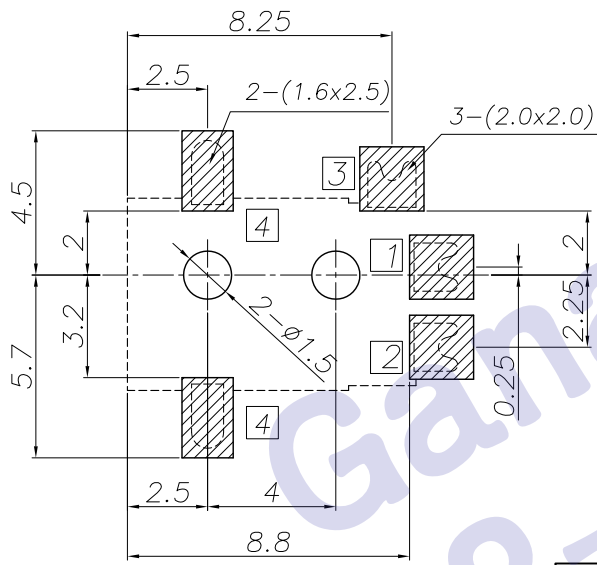


REV. LTR.	DESCRIPTION	SIGN	DATE
▲ X2	Add dimension?	wangyan	2010.08.03

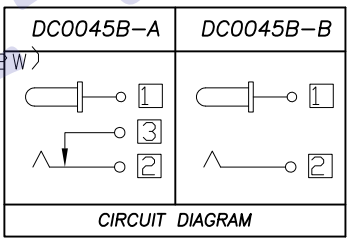


Ordering information:
DC 0 0 4 5 B - □ □ LC 0A S 0 1
 (1) (2) (3) (4) (5) (6) (7) (8) (9)
 (1):Series type:DC=DC POWER JACK
 (2):Series No.
 (3):Schematic option: A、B
 (4):Center pin diameter:
 C=φ1.0, E=φ1.3
 (5):Material of housing:
 LC=LCP
 (6):Housing color:
 Zero 0A=Black
 (7):Terminal plating:
 S=Silver(Ag)
 (8):Special option:
 0=No special option
 (9):Packing mode:
 1=Reel packing



Model No.	DC0045B- <u>C</u>	DC0045B- <u>E</u>
PIN	φ1.0	φ1.3

P.C.B Layout (Copper-sided view)



□ : TERMINAL NO.

SPECIFICATION
 1.Rating ? DC 12V 1A?
 2.Contact resistance? ≤ 30mΩ?
 3.Insulation resistance?? 100MΩ (DC250V)?
 4.Withstand voltage? 500VAC ?
 5.Insertion and extraction force? 3-30N;
 6.life test? 5,000 cycles;
 7.Sign"? "is importance dimension.

⑥	Shield plate	1	Brass t=0.2	DC0045B-04(JA-1093)	Silver plating
⑤	Shunt terminal	③	Brass t=0.25	DC0045B-03(WP-641)	Silver plating
④	Tip spring	②	Beryllium bronze t=0.3	DC0045B-02(TP-642)	Silver plating
③	Center pin terminal	①	Brass t=0.2	DC0045B-01(JA-643)	Silver plating
②	Center pin	①	Brass	DC00450-99C/E	Nickel plating
①	Housing	1	LCP	DC00450-S1(ST-640)	

NO.	DESCRIPTION	QTY	MATERIAL	PART NO.	PLATING
UNIT: MM					
TYPE:		MODEL NO:		PAPER NO: A4	
DC POWER JACK		DC0045B- <u>LC0AS01</u>		PAGE 1 OF 1	
DESIGNER BY:		Wangyan 2010.8.3		TOLERANCE	ANGLES
CHECK BY:				±0.3	±2°
APPROVED BY:				SCALE	VER
				FULL	4

HDC有限公司