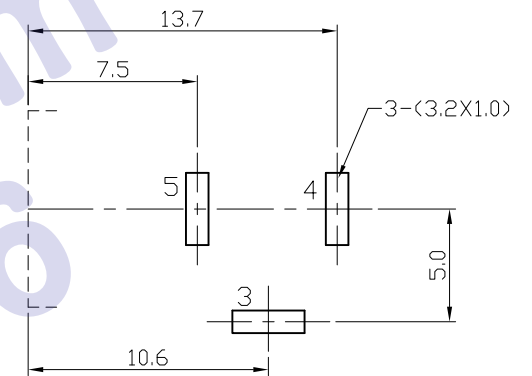
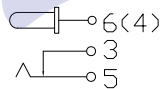


P.C.B
LAYOUT
VIEW



PIN	ø2.0	ø2.35	ø2.5
APPD.			

SCHEMATIC



TOLERANCE:

0.0--<10.0mm	±0.10mm
10.0--<20.0mm	±0.15mm
20.0--<50.0mm	±0.20mm

6	PIN	1	H59 BRASS	Ni-Plating
5	SPRING	1	BRONZE	Ag-Plating
4	FLAT PIECE	1	H62 BRASS	Ag-Plating
3	CURVE PIECE	1	H62 BRASS	Ag-Plating
2	COVER	1	PBT	
1	HOUSING	1	PBT	
NO.	DESCRIPTION	QTY	MATERIAL	PLATING

UNIT:MM	TYPE:	MODEL NO:	PAPER NO:	PAGE 1 OF 1
	DC JACK	DC-00460	TOLERANCE: A4	VER
			±1.5°	31 1

DESIGNER		HDC有限公司
CHECK		
APPROVED		