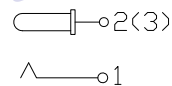
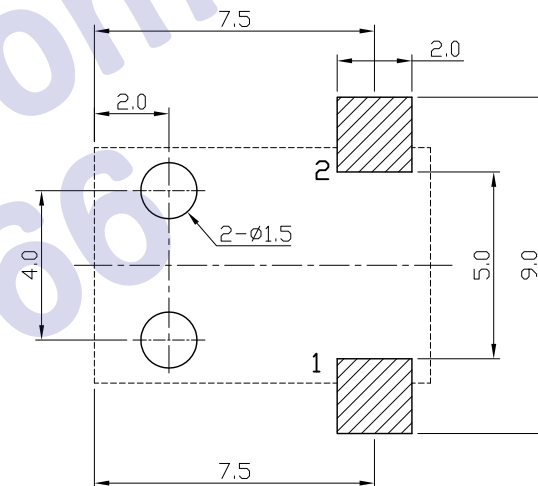


SCHEMATIC



P.C.B LAYOUT VIEW



PIN	φ1.0	φ1.3
APPD.		

SPECIFICATION

1. Rating ? DC 30V 0.5A?
2. Contact resistance ≤50mΩ ?
3. Insulation resistance ≥100MΩ (DC250V)?
4. Withstand voltage ≥500VAC ?
5. Insertion and extraction force ≤3N;
6. life test ≥5,000 cycles

4	HOUSING	1	PA9T	
3	PIN	1	BRASS	Ni-Plating
2	CURVE PIECE	1	BRASS	Ag-Plating
1	SPRING	1	STAINLESS STEEL	Ag-Plating
NO.	DESCRIPTION	QTY	MATERIAL	PLATING

UNIT:MM	TYPE:	MODEL NO:	PAPER NO:	PAGE 1 OF 1
	DC POWER JACK	DC00470-X	TOLERANCE	ANGLE\$ SCALE VER
			±0.3	±2° 1:1 1

DESIGNER		HDC有限公司
BY CHECK		
BY APPROVED		
BY:		