

Ordering information:

DC 0 0 5 1 0 - A □ PB 0A S 0 4
 (1) (2) (3) (4) (5) (6) (7) (8) (9)

(1):Series type:DC=DC POWER JACK

(2):Series No.

(3):Schematic option: A

(4):Center pin diameter:
 H=φ2.0 , J=φ2.5

(5):Material of housing:
 PB=PBT (Standard)

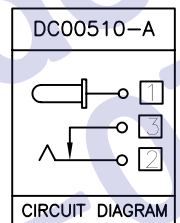
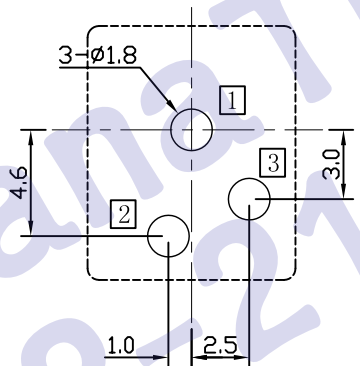
(6):Housing color:
 0A=Black

(7):Terminal plating:
 S=Silver (Ag)

(8):Special option:
 0=No special option

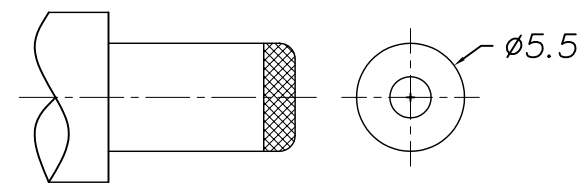
(9):Packing mode:
 4=Bag packing

P. C. B Layout (Top view)

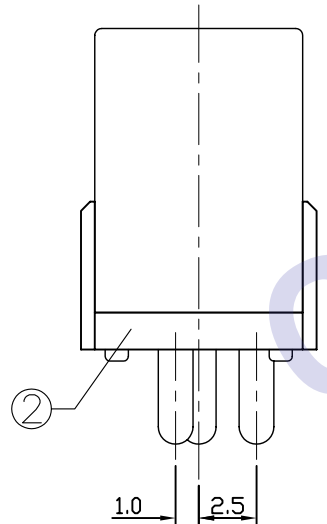


□ : TERMINAL NO.

Model No.	DC00510-H	DC00510-J
PIN	φ2.0	φ2.5



DC MATE PLUG



SPECIFICATION

- Rating : DC 24V 3.5A;
- Contact resistance: ≤30mΩ;
- Insulation resistance: ≥100MΩ (DC250V);
- Withstand voltage: 500VAC ;
- Insertion and extraction force: 3-30N;
- life test: 5,000 cycles.

⑤	Shunt terminal	<input type="checkbox"/>	1	Brass t=0.3	DC00510-03(DC00510-05-02)	Silver-Plating
④	Tip spring	<input type="checkbox"/>	1	Phosphor bronze t=0.3	DC00510-02(DC00510-05-01)	Silver-Plating
③	Center pin	<input type="checkbox"/>	1	Brass	DC00510-99H/J	Silver-Plating
②	Cover		1	PBT UL94V-0	DC00510-S2(DC00510-05-05)	
①	Housing		1	PBT UL94V-0	DC00510-S1(DC00510-05-04)	

NO.	DESCRIPTION	QTY	MATERIAL	PART NO.	PLATING
UNIT: MM		TYPE:		MODEL NO:	
PAPER NO: A4		PAGE 1 OF 1		TOLERANCE	
ANGLES		SCALE		VER	
±0.3		±2'		FULL	
				2	

DESIGNER BY: Li Wenhui 2009.5.19
 CHECK BY:
 APPROVED BY:

HDC有限公司