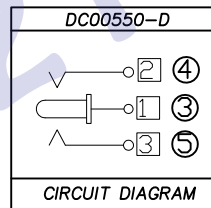
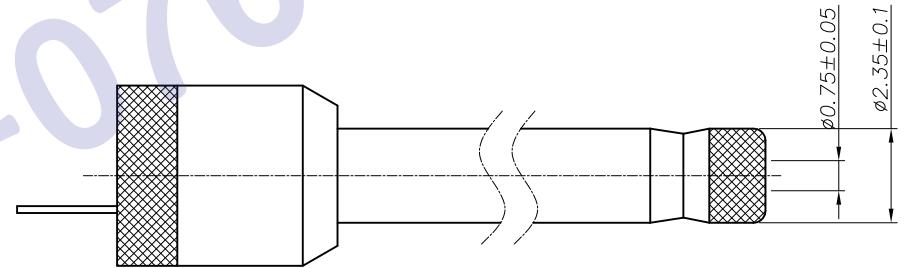
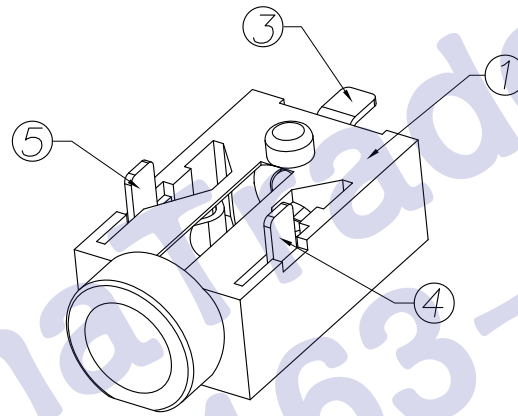
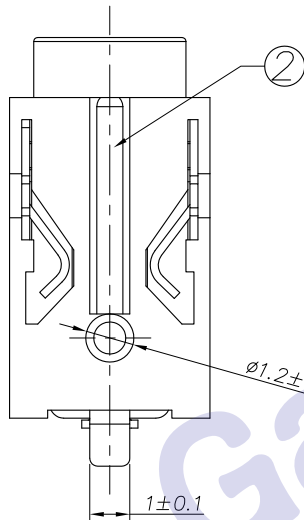


P.C.B Layout
(Copper-sided view)



□ : TERMINAL NO. ○ : ITEM NO.

SPECIFICATION

1. Rating ? DC 12V 1A?
2. Contact resistance ≤ 30m?
3. Insulation resistance ≥ 100M? (DC250V)?
4. Withstand voltage ≥ 500VAC?
5. Insertion and extraction force 2~20N;
6. life test 5,000 cycles

| ⑤ | Tip spring | 1 | Be-cu | DC00550-03(TP-1298) | Ag-Plating |
|-----|---------------------|-----|----------|----------------------|------------|
| ④ | Tip spring | 1 | Be-cu | DC00550-02(TP-1297) | Ag-Plating |
| ③ | Center pin terminal | 1 | Brass | DC00550-01(WP-1296) | Ag-Plating |
| ② | Center pin | 1 | Brass | DC00550-99A(YZ-1299) | Ag-Plating |
| ① | Housing | 1 | PA46 | DC00550-S1(ST-1295) | |
| NO. | DESCRIPTION | QTY | MATERIAL | PART NO. | PLATING |

| | | | | |
|---------|---------------|------------|--------------|-------------|
| UNIT:MM | TYPE: | MODEL NO: | PAPER NO: A4 | PAGE 1 OF 1 |
| | DC POWER JACK | DC00550-DA | TOLERANCE | ANGLES |
| | | | ±0.2 | ±2° |
| | | | SCALE | VER |
| | | | FULL | 2 |

DESIGNER BY: Li wenhui 2008.2.15
CHECK BY:
APPROVED BY:

HDC有限公司