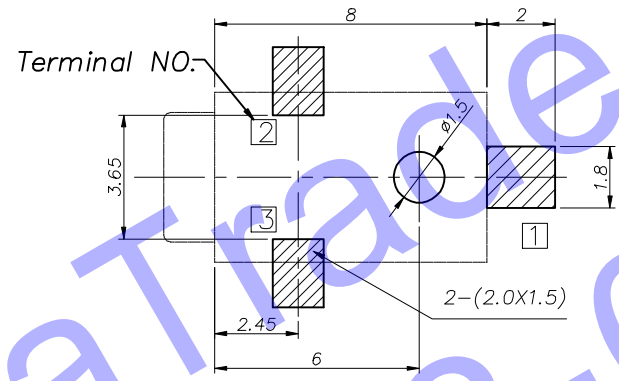
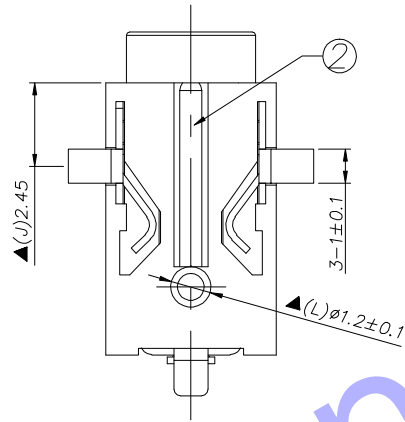
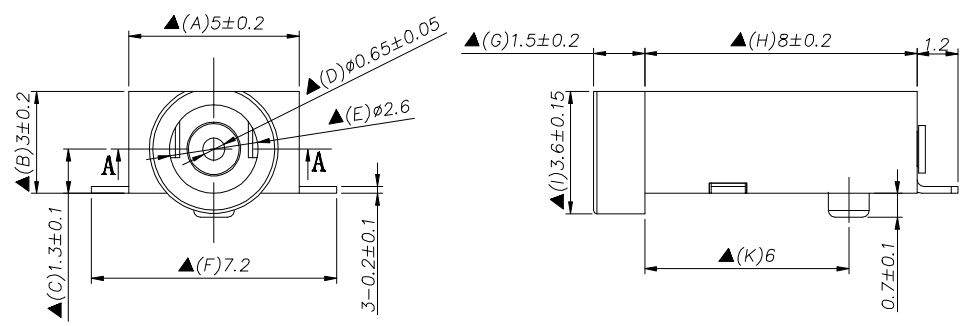
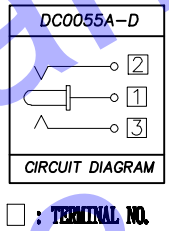


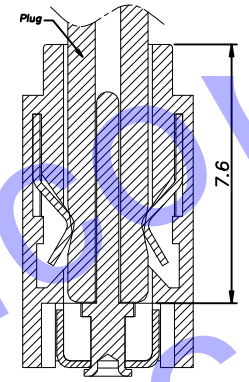
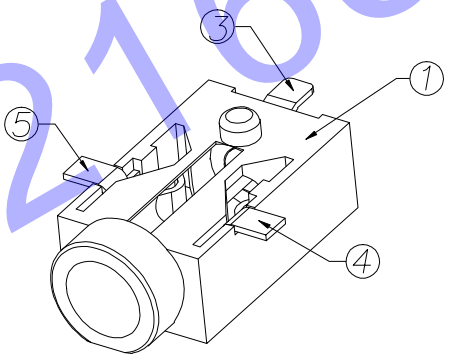
REV. LTR.	DESCRIPTION	SIGN	DATE



P. C. B Layout (Top view)



- SPECIFICATION**
1. Rating : DC 12V 2A;
 2. Contact resistance: $\leq 30m\Omega$;
 3. Insulation resistance: $\geq 100M\Omega$ (DC500V);
 4. Withstand voltage: 500VAC ;
 5. Insertion and extraction force: 3-30N;
 6. life test: 5,000 cycles;
 7. Operation temperature range: -20°C~70°C;
 8. Preservative temperature range: -40°C~85°C;
 9. Sign "▲" is importance dimension.



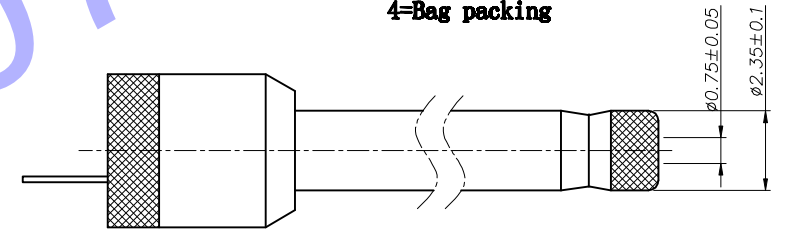
SECTION A-A

Ordering information:

DC 0 0 5 5 A - D A 9T □ □ S 0 □

(1) (2) (3) (4) (5) (6) (7) (8) (9)

- (1): Series type: DC=DC POWER JACK
- (2): Series No.
- (3): Schematic option: D
- (4): Center pin diameter:
A=φ0.65
- (5): Material of housing:
9T=PA9T
- (6): Housing color:
0A=Black , 9C=White(0419)
- (7): Terminal plating:
S=Silver(Ag)
- (8): Special option:
0=No special option
- (9): Packing mode:
1=Reel packing
4=Bag packing



DC MATE PLUG

⑤	Tip spring	③	1	Beryllium bronze	DC0055A-03(TP-1308)	Silver plating
④	Tip spring	②	1	Beryllium bronze	DC0055A-02(TP-1307)	Silver plating
③	Center pin terminal	①	1	Brass	DC00550-01(WP-1296)	Silver plating
②	Center pin	①	1	Brass	DC00550-99A(YZ-1299)	Silver plating
①	Housing		1	PA9T	DC00550-S1(ST-1295)	

NO.	DESCRIPTION	QTY	MATERIAL	PART NO.	REMARK
UNIT: MM					
TYPE: DC POWER JACK		MODEL NO: DC0055A-DA9T_ _S0_		PAPER NO: A4 PAGE 1 OF 1	
DESIGNER BY: Wangyan 2010.08.26		CHECK BY:		TOLERANCE: ±0.3 ANGLES: ±2' SCALE: FULL VER: 3	
APPROVED BY:		H D C 有限公司			