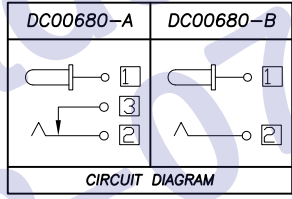
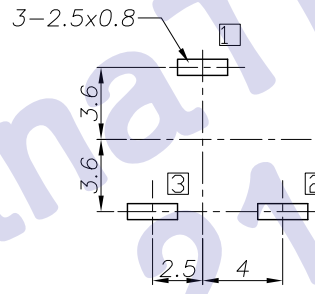
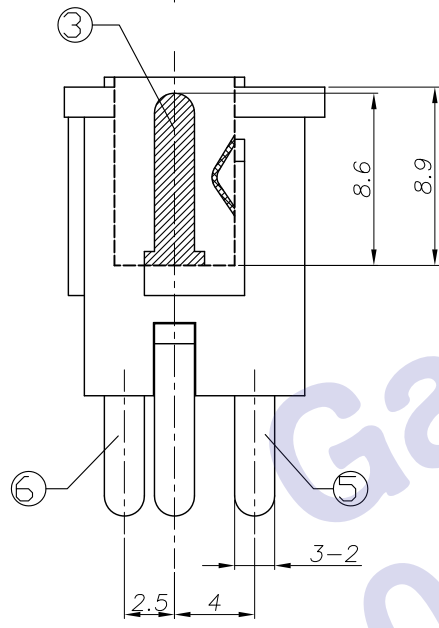
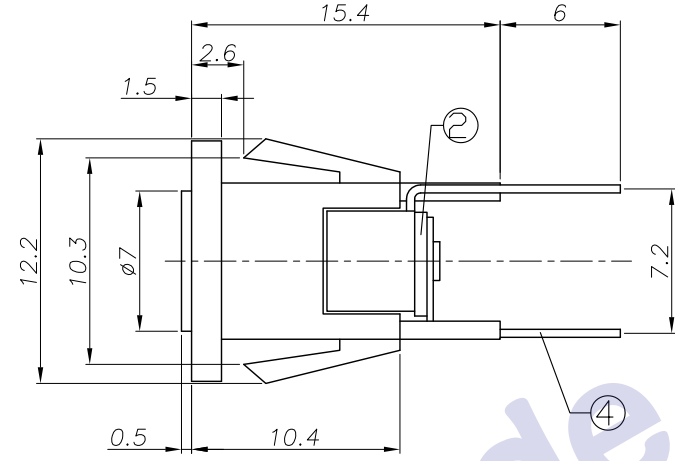
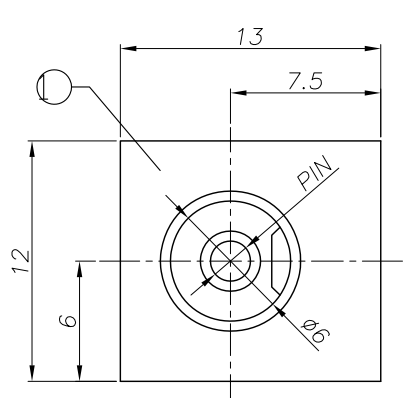


REV. LTR.	DESCRIPTION	SIGN	DATE



□ : TERMINAL NO.

Model No.	DC00680- <u> </u> H	DC00680- <u> </u> J
PIN	∅2.0	∅2.5

Ordering information:

DC 0 0 6 8 0 - □ □ PB 0A T 0 4
 (1) (2) (3) (4) (5) (6) (7) (8) (9)

- (1): Series type: DC=DC POWER JACK
- (2): Series No.
- (3): Schematic option:
A、B
- (4): Center pin diameter:
H=∅2.0, J=∅2.5
- (5): Material of housing:
PB=PBT (Standard)
- (6): Housing color:
0A=Black
- (7): Terminal plating:
T=Tin (Sn)
- (8): Special option:
0=No special option
- (9): Packing mode:
4=Bag packing

- SPECIFICATION**
1. Rating ? DC 20V 2A?
 2. Contact resistance? ≤ 50mΩ?
 3. Insulation resistance?? 100MΩ (DC500V)?
 4. Withstand voltage? 500VAC ?
 5. Insertion and extraction force? 3-30N;
 6. life test? 5,000 cycles;
 7. Operation temperature range: -20°C? 70°C;
 8. Preservative temperature range: -40°C? 85°C;

P.C.B. Layout (Copper-sided view)

⑥	Shunt terminal	③	1	Brass t=0.4	Tin plating 3~6um
⑤	Tip spring	②	1	Stainless steel t=0.25	Tin plating 3~6um
④	Center pin terminal	①	1	Brass t=0.4	CuSn plating 1~3um
③	Center pin	①	1	Brass	CuSn plating 1~3um
②	Cover		2	PF	
①	Housing		1	PBT	

NO.	DESCRIPTION	QTY	MATERIAL	REMARK
UNIT: MM	TYPE:	MODEL NO:	PAPER NO: A4	PAGE 1 OF 1
	DC POWER JACK	DC00680- <u> </u> _PBOAT04	TOLERANCE	ANGLES
DESIGNER BY:	Li Wenhui 2010.5.13		±0.3	±2°
CHECK BY:			SCALE	VER
APPROVED BY:			FULL	1

HDC有限公司