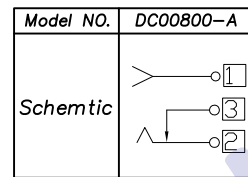
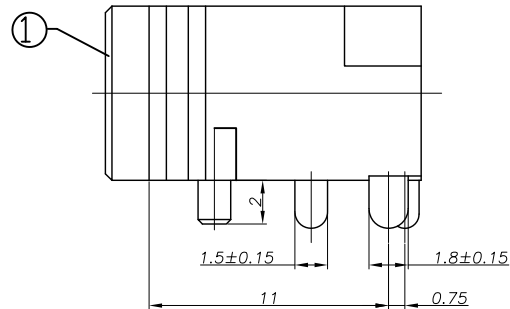
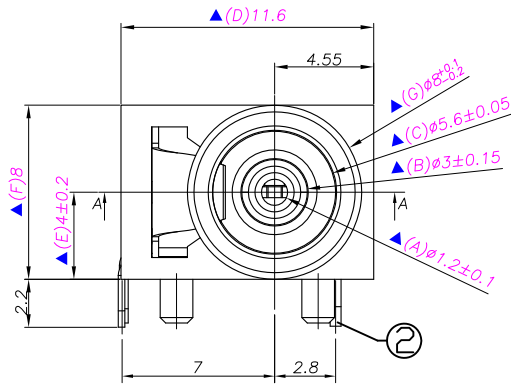
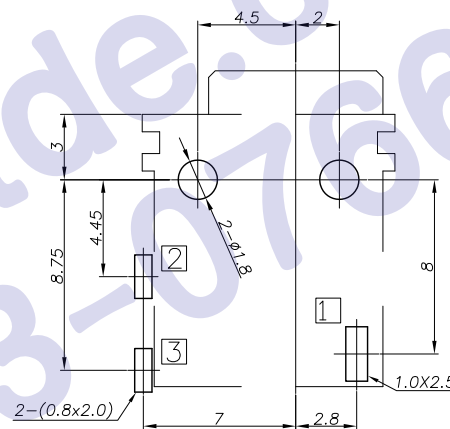
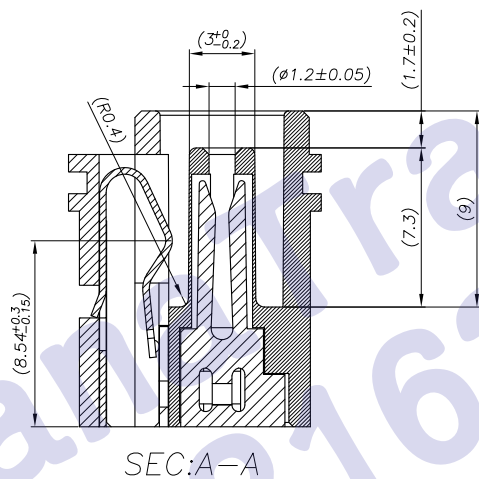
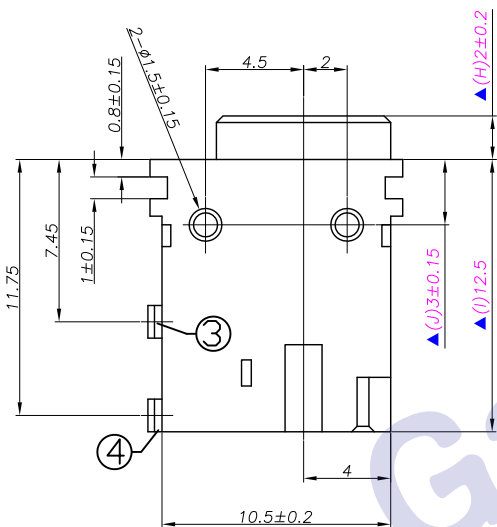


| | | | |
|-----------|---|------|------------|
| REV. LTR. | DESCRIPTION | SIGN | DATE |
| △ | 1.Mark critical dimensions;2.Change tolerance | YUN | 2010.12.28 |



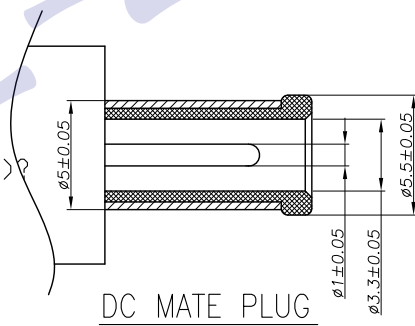
Ordering information:
 DC00800A D ?? 0A T 0 ?
 (1) (2)(3) (4) (5)(6)(7)(8)

- (1):Series No.
- (2):Schematic option:A
- (3):Center hole diameter:
D=0.12
- (4):Material of housing:
9T=PA9T, PB=PBT
- (5):Housing color: 0A=Black
- (6):Terminal plating: T=Tin(Sn)
- (7):Special option:
Zero 0=No special option
- (8):Packing mode:
1=Reel packing
4=Bag packing



RECOMMENDED P.C.B. LAYOUT
 UNSPECIFIED TOLERANCE:±0.05
 (Copper-sidedview)

- Specification:
- 1.Rating ?DC 20V 6A?
 - 2.Contact resistance?≤30m?
After test:≤50m?
 - 3.Insulation resistance??100M? <500VDC)?
After test:50M?
 - 4.Withstand voltage?500VAC ?
 - 5.Insertion and extraction force??3N
 - 6.life test?5000cycles min?
 - 7.Operation temperature range? -20
 - 8.Preservative temperature range? -40
 - 9.Sign"? "is importance dimension



| | | | | | | |
|---|----------------|---|---|----------------------|---------------------|-------------|
| ④ | Shunt terminal | ③ | 1 | Brass,t0.4 | DC00800-03(WP-998) | Tin plating |
| ③ | Tip spring | ② | 1 | Phosphor bronze,t0.3 | DC00800-02(TP-999) | Tin plating |
| ② | Center pin | ① | 1 | Phosphor bronze,t0.5 | DC00800-01(JA-1000) | Tin plating |
| ① | Housing | | 1 | PA9T | DC00800-S1(ST-997) | Black |

| NO. | DESCRIPTION | QTY | MATERIAL | PART NO. | REMAKR |
|---------|---------------|----------------|--------------|-------------|--------|
| UNIT:MM | TYPE: | MODEL NO: | PAPER NO: A4 | PAGE 1 OF 1 | |
| | DC POWER JACK | DC00800-ADATO_ | TOLERANCE | ANGLES | SCALE |
| | | | ±0.3 | ±2° | FULL |
| | | | | VER | 4 |

DESIGNER BY: XiaoBingdong 2010.12.28
 CHECK BY:
 APPROVED BY:

HDC有限公司