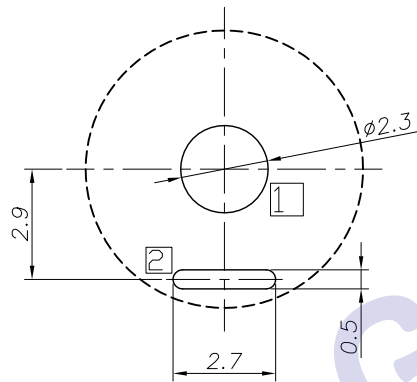
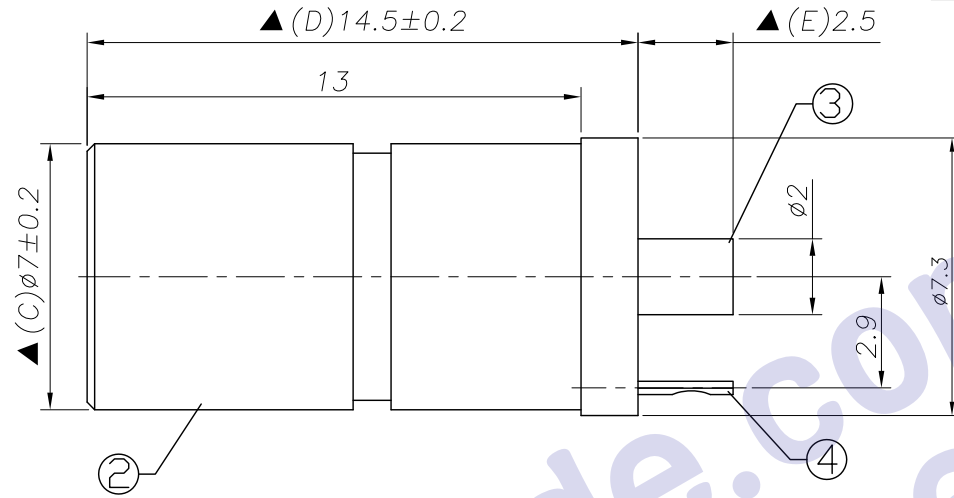
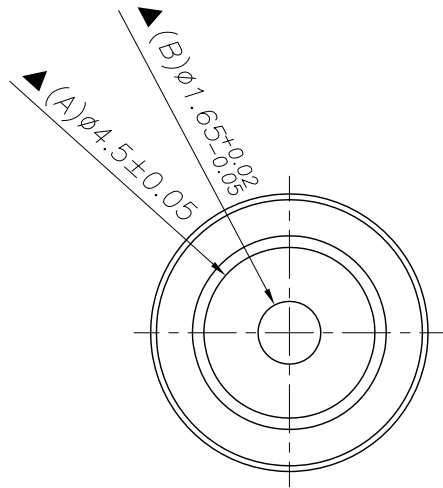
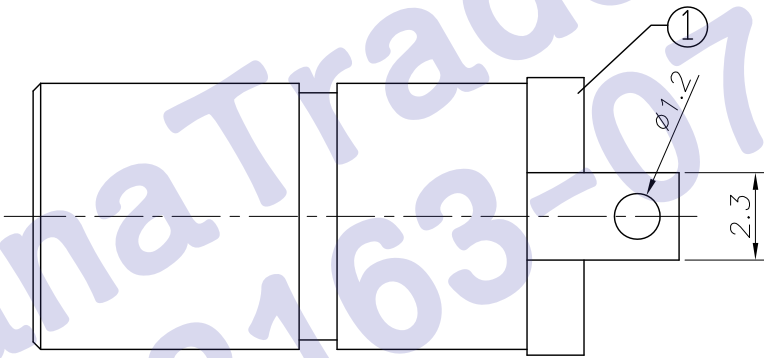


REV. LTR.	DESCRIPTION	SIGN	DATE
▲	Add pcb layout view	kingbo	2012/09/27



▲ RECOMMENDED P.C.B. LAYOUT
UNSPECIFIED TOLERANCE: ± 0.05
TOP VIEW



Ordering information:
DC00830-B G 66 0A T 0 4
(1) (2) (3) (4) (5) (6) (7) (8)
(1): Series No
(2): Schematic option: B
(3): Center pin diameter:
G=1.65 (Only)
(4): Material of housing:
66=PA66 (Only)
(5): Housing color:
0A=Black (Only)
(6): Terminal plating
T=Tin (Sn) (Standard)
S=Silver (Ag)
G=Gold (Au)
(7): Special option
0=No special option
(8): Packing mode:
4=Bag packing

Model NO.	DC00830-B
Schematic	

Specification:

- Rating: DC 20V 3A;
- Contact resistance: $\leq 50m\Omega$;
After test: $\leq 100m\Omega$
- Insulation resistance: $\geq 100M\Omega$ (500VDC);
After test: $\geq 50M\Omega$
- Withstand voltage: 500VAC;
- Insertion and extraction force: 3N~30N;
- Life test: 5000cycles min;
- Operation temperature range: $-20^{\circ}C \sim 70^{\circ}C$
- Preservative temperature range: $-40^{\circ}C \sim 85^{\circ}C$
- Sign "▲" is importance dimension.

④	Tip spring	②	1	Stainless steel	DC00830-02(TP-1055)	Tin plating
③	Center pin	①	1	Brass	DC00830-01(YZ-1056)	Tin plating
②	Bushing		1	Brass	DC00830-88(ZT-1054)	Nickel plating
①	Housing		1	PA66	DC00830-S1(ST-1053)	

NO.	DESCRIPTION	QTY	MATERIAL	PART NO.	PLATING
UNIT:MM	TYPE:	MODEL NO:		PAPER NO: A4	PAGE 1 OF 1
	DC POWER	DC00830-BG660AT04		TOLERANCE	ANGLES
				± 0.5	$\pm 5^{\circ}$
				SCALE	VER
				FULL	4

DESIGNER BY: kingbo 2012.09.27
CHECK BY:
APPROVED BY:

HDC有限公司