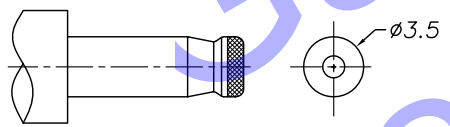
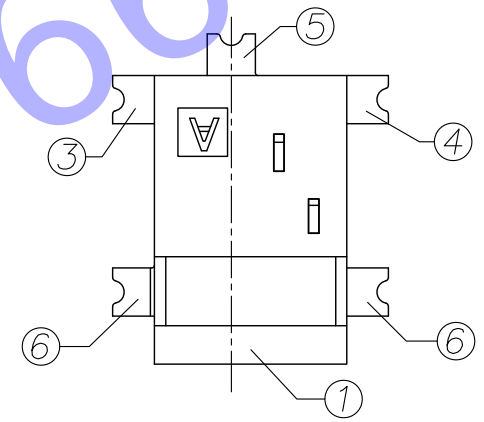
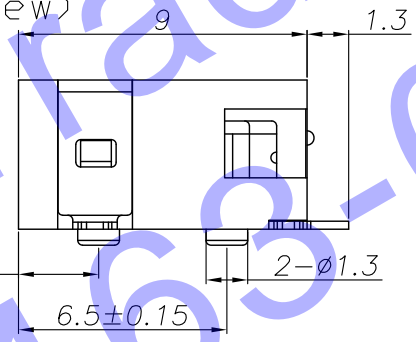
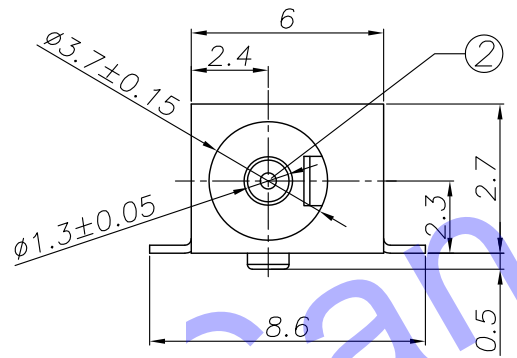


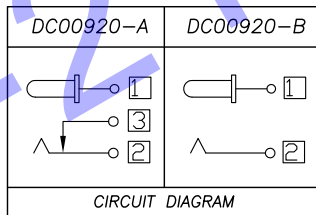
DC 0 0 9 2 0 - □ □ □ □ □ □ □ □
 (1) (2) (3) (4) (5) (6) (7) (8) (9)

(1):Series type:DC=DC POWER JACK
 (2):Series No.
 (3):Schematic option:
 A ? B
 (4):Center pin diameter:
 E:φ1.3
 (5):Material of housing:
 9T=PA9T (Standard)
 (6):Housing color:
 0A=Black (Standard)
 (7):Terminal plating:
 S=Silver(Ag)
 (8):Special option:
 0=No special option
 (9):Packing mode:
 1=Reel packing

P.C.B Layout (Copper-sided view)



DC MATE PLUG



□ : TERMINAL NO.

NO.	DESCRIPTION	QTY	MATERIAL	PLATING	
⑥	Frame	④	1	Brass t=0.25	Ag-Plating
⑤	Shunt terminal	③	1	Brass t=0.25	Ag-Plating
④	Tip spring	②	1	Phosphor bronze t=0.3	Ag-Plating
③	Center pin terminal	①	1	Brass t=0.25	Ag-Plating
②	Center pin	①	1	Brass	CuSn-Plating
①	Housing	1	PA9T		

SPECIFICATION
 1.Rating ? DC 12V 2A?
 2.Contact resistance? ≤ 30mΩ?
 3.Insulation resistance?? 100MΩ (DC250V)?
 4.Withstand voltage? 500VAC ?
 5.Insertion and extraction force? 3-30N;
 6.life test? 5,000 cycles?

UNIT:MM	TYPE:	MODEL NO:	PAPER NO: A4	PAGE 1 OF 1
	DC POWER JACK	DC00920-_E9T0AS01	TOLERANCE	ANGLES
			±0.3	±2°
			SCALE	VER
			FULL	1

DESIGNER BY: Li Wenhui 2008.12.30
 CHECK BY:
 APPROVED BY:

HDC有限公司