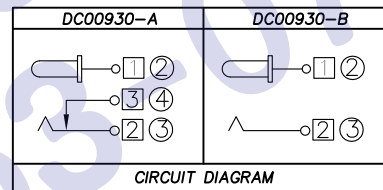
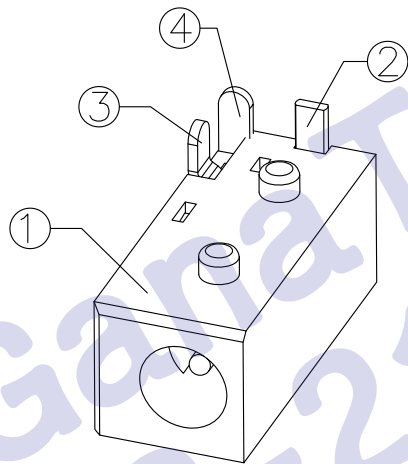
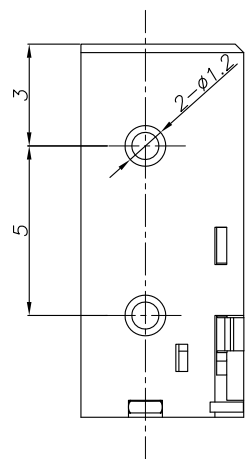


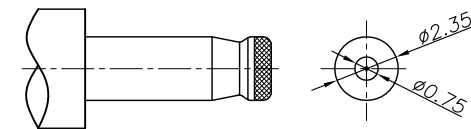
P. C. B Layout (Copper-sided view)

DC 0 0 9 3 0 - □ □ □ □ □ □ □ □ □ □

- ①: Series type: DC=DC POWER JACK
- ②: Series No.
- ③: Schematic option:
A、B
- ④: Center pin diameter:
A: $\phi 0.65$
- ⑤: Material of housing:
PB=PBT (Standard)
- ⑥: Housing color:
OA=Black (Standard)
- ⑦: Terminal plating:
S: Silver(Ag)
- ⑧: Special option:
0: No special option
- ⑨: Packing mode:
4: Bag packing



□ : TERMINAL NO. ○ : ITEM NO.



DC MATE PLUG

SPECIFICATION

1. Rating : DC 30V 0.5A;
2. Contact resistance: $\leq 30m\Omega$;
3. Insulation resistance: $\geq 100M\Omega$ (DC500V);
4. Withstand voltage: 500VAC ;
5. Insertion and extraction force: 3-30N;
6. Life test: 5,000 cycles.

④	Shunt terminal	1	Brass t=0.3	DC00930-03(WP-1256)	Ag-Plating
③	Tip spring	1	Bronze t=0.3	DC00930-02(TP-1257)	Ag-Plating
②	Center pin	1	Bronze	DC00930-99A(YZ-1258)	Ag-Plating
①	Housing	1	PBT UL94V-0	DC00930-S1(ST-1255)	

NO.	DESCRIPTION	QTY	MATERIAL	PART NO.	PLATING
-----	-------------	-----	----------	----------	---------

UNIT: MM	TYPE:	MODEL NO:	PAPER NO: A4	PAGE 1 OF 1
	DC POWER JACK	DC00930-APB0AS04	TOLERANCE	ANGLES
			± 0.3	$\pm 2'$
			SCALE	VER
			FULL	1

DESIGNER BY:	Li Wenhui 2008.8.22	HDC有限公司
CHECK BY:		
APPROVED BY:		