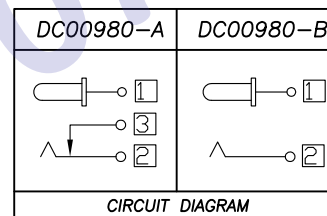
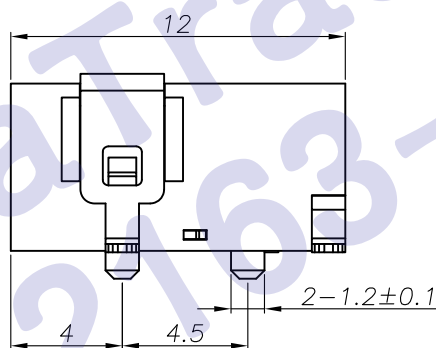
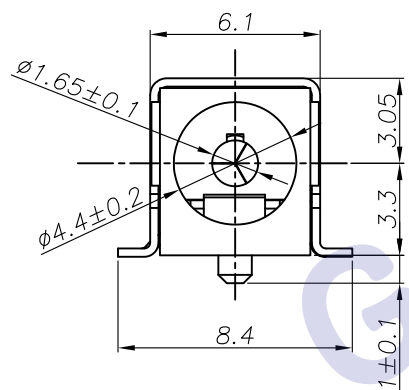
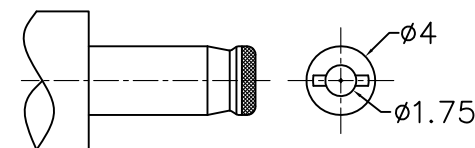


P.C.B Layout (Copper-sided view)

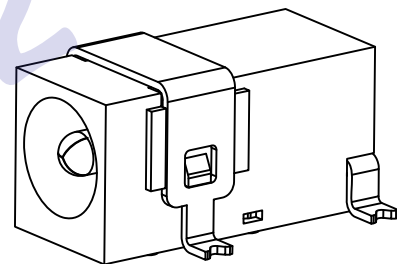


□ : TERMINAL NO.



DC MATE PLUG

- DC 0 0 9 8 0 - □ □ □ □ □ □ □ □ □ □
- ① ② ③ ④ ⑤ ⑥ ⑦ ⑧ ⑨
- ①:Series type:DC=DC POWER JACK
 ②:Series No.
 ③:Schematic option:
 A , B
 ④:Center pin diameter:
 G=Ø1.65
 ⑤:Material of housing:
 9T=PA9T (Standard)
 ⑥:Housing color:
 0A=Black (Standard)
 ⑦:Terminal plating:
 S=Silver(Ag)
 ⑧:Special option:
 0=No special option
 ⑨:Packing mode:
 1=Reel packing



SPECIFICATION

- 1.Rating ? DC 6.3V 2A?
- 2.Contact resistance? ≤ 30mΩ?
- 3.Insulation resistance?? 100MΩ (DC250V)?
- 4.Withstand voltage? 500VAC ?
- 5.Insertion and extraction force? 3-30N;
- 6.life test? 5,000 cycles?

⑤	Frame	1	Brass t=0.3	Ag-Plating		
④	Shunt terminal	③	1	Brass t=0.3	Ag-Plating	
③	Tip spring	②	1	Phosphor Bronze t=0.3	Ag-Plating	
②	Center pin	①	1	Brass t=0.3	Ag-Plating	
①	Housing	1	PA9T			
NO.	DESCRIPTION	QTY	MATERIAL	PLATING		
UNIT:MM	TYPE:	MODEL NO:	PAPER NO: A4	PAGE 1 OF 1		
	DC POWER JACK	DC00980-_G9T0AS01	TOLERANCE	ANGLES	SCALE	VER
	DESIGNER BY:	Li Wenhui 2008.12.13	±0.3	±2°	FULL	1
	CHECK BY:					
	APPROVED BY:					

HDC有限公司