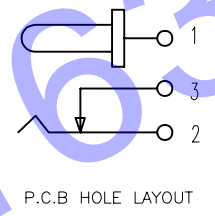
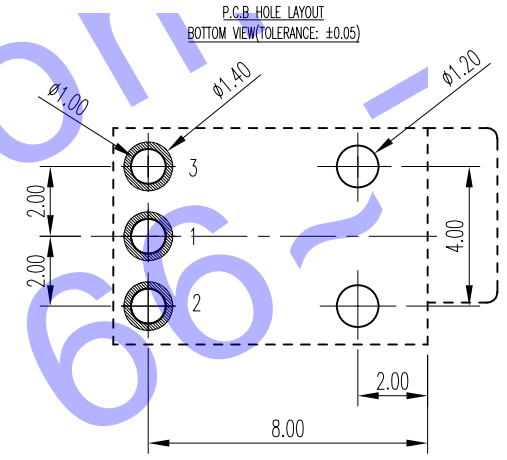
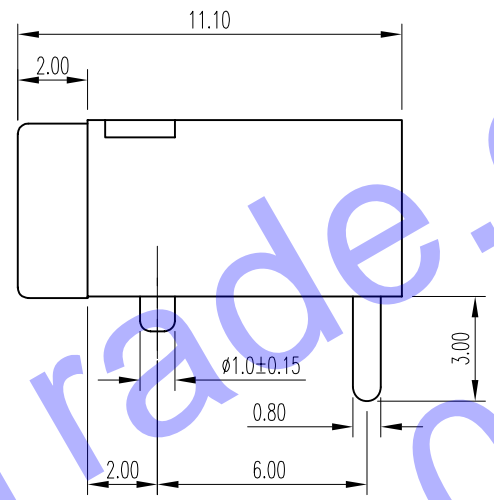
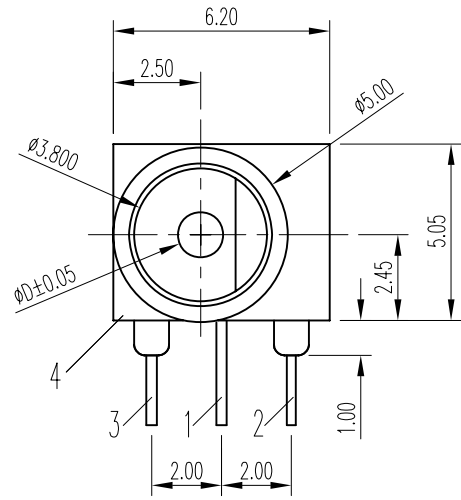


REVISIONS										
REV.	ECN NO.	LOCATION	DESCRIPTION	DATE	DESIGN	CHECKED	APPROVED			
X1	N/A		INITIAL RELEASE	2007/04/10	XIE	~	LIU			



- NOTES:
- REQUEST OF THE SPECIFICATION:
 - CONTACT CURRENT RATING: 1.5A;
 - CONTACT RESISTANCE: 50 mΩ MAX.;
 - INSULATION RESISTANCE: 1000Ω MIN.;
 - DIELECTRIC WITHSTANDING: 500V AC MIN.;
 - DURABILITY: 5000 CYCLES MIN.;
 - CONNECTOR MATING FORCES: 0.3~3.0Kgf.;
 - CONNECTOR UNMATING FORCES: 0.3~3.0Kgf.;
 - PRODUCT MEET THE REQUEST OF THE RoHs, SEE TABLE A:

MATTER	RoHs (PPM)
Cd	≤ 100
Pb	≤ 1000
Hg	≤ 1000
Cr6+	≤ 1000
PBB	≤ 1000
PBDE	≤ 1000

TABLE B:

∅D	PART NO			
∅1.00	DS-340-110			
∅1.30	DS-340-113			
5	1	COVER	PBT	BLACK
4	1	HOUSING	PBT	BLACK
3	1	TERMINAL	BRASS 0.3T	Ag PLATED
2	1	TERMINAL	PBS 0.25T	Ag PLATED
1	1	PIN	PB 0.3T	Ag PLATED

MEASURE POINT: (·)			
QUADRANT POINT (QP)			
TANGENCY POINT (TP)			
INTERSECTION POINT (IP)			
UNLESS OTHERWISE SPECIFIED, TOLERANCE:	DESIGN XIE	DATE 2007/04/10	TITLE:
X. ±0.30	CHECKED	DATE	DIP TYPE DC POWER JACK
X.x ±0.25	APPROVED	DATE	CUSTOMER DRAWING
X.xx ±0.20	PART NO. SEE TABLE B:		REV.: X1
X.xxx ±0.10	DRAWING NO.		SCALE: 1:1
ANGULAR ±3°			UNIT: mm
			SIZE: A4 SHEET: 1/1