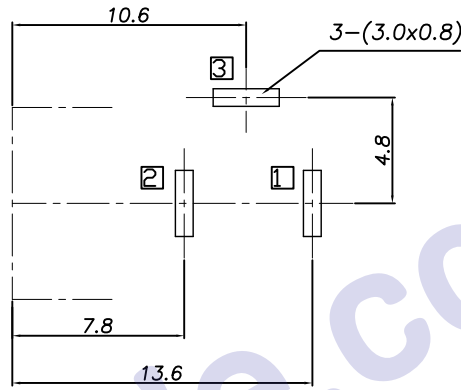
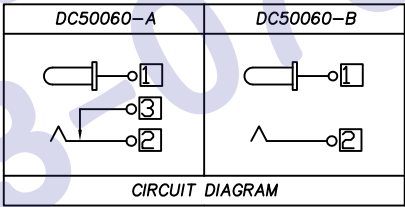
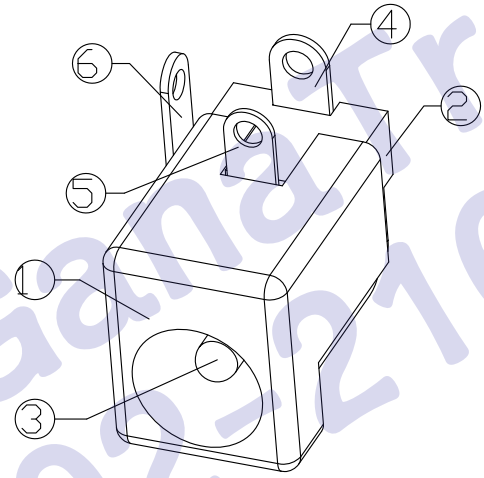
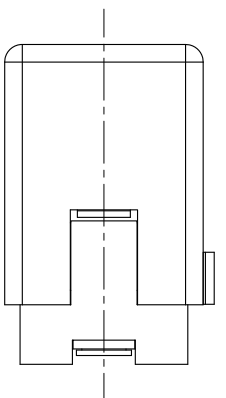


P.C.B Layout  
(Copper-sided view)



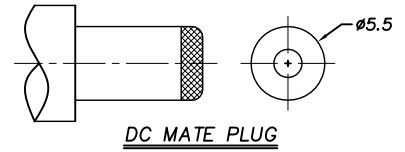
Ordering information:

- DC 5 0 0 6 0 - □ □ PB 0A T 0 4  
 (1) (2) (3) (4) (5) (6) (7) (8) (9)
- (1):Series type:DC=DC POWER JACK
  - (2):Series No.
  - (3):Schematic option:  
A, B
  - (4):Center pin diameter:  
H=ø2.0, I=ø2.35, J=ø2.5
  - (5):Material of housing:  
PB=PBT (Standard)
  - (6):Housing color:  
0A=Black
  - (7):Terminal plating:  
T=Tin (Sn)
  - (8):Special option:  
0=No special option
  - (9):Packing mode:  
4=Bag packing



□ : TERMINAL NO.

Model No.	DC50060- <u>H</u>	DC50060- <u>J</u>	DC50060- <u>J</u>
PIN	ø2.0	ø2.35	ø2.5



SPECIFICATION

- 1.Rating ? DC 12V 5A?
- 2.Contact resistance? ≤ 30mΩ?
- 3.Insulation resistance?? 100MΩ (DC250V)?
- 4.Withstand voltage? 500VAC ?
- 5.Insertion and extraction force? 3-30N;
- 6.life test? 5,000 cycles;
- 7.Sign"? "is importance dimension.

⑥	Shunt terminal	③	1	Brass t=0.40	DC50050-03(WP-841)	Tin plating
⑤	Tip spring	②	1	Phosphor bronze t=0.3	DC50050-02(TP-842)	Tin plating
④	Center pin terminal	①	1	Brass t=0.40	DC50050-01(PP-843)	Tin plating
③	Center pin		1	Brass	DC00050-99H/I/J	Nickel plating
②	Cover		1	PBT	DC50050-S2(GZ-844)	
①	Housing		1	PBT	DC50060-S1(ST-846)	

NO.	DESCRIPTION	QTY	MATERIAL	PART NO.	REMARK
UNIT: MM		TYPE:		MODEL NO:	
PAPER NO: A4		PAGE 1 OF 1		TOLERANCE	
±0.3		±2°		SCALE	
FULL		VER		2	

DESIGNER BY:	Li Wenhui 2009.10.20
CHECK BY:	
APPROVED BY:	

HDC有限公司