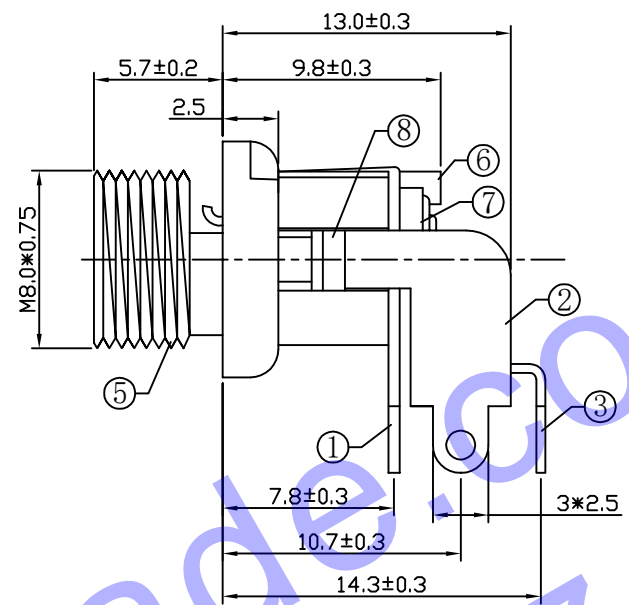
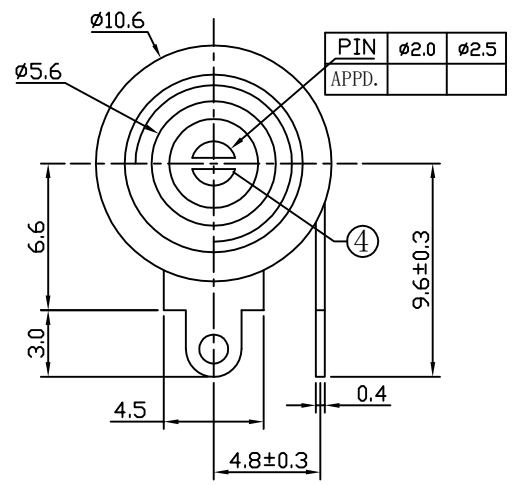


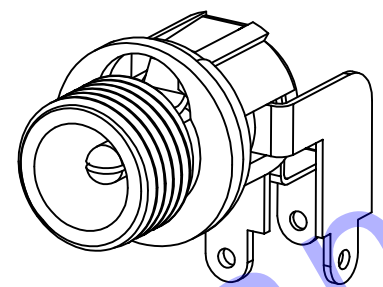
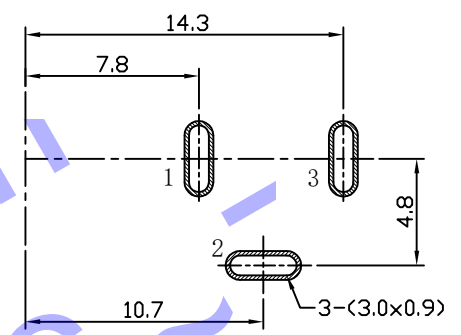
1 2 3 4 5

A  
B  
C  
D  
E

A  
B  
C  
D  
E

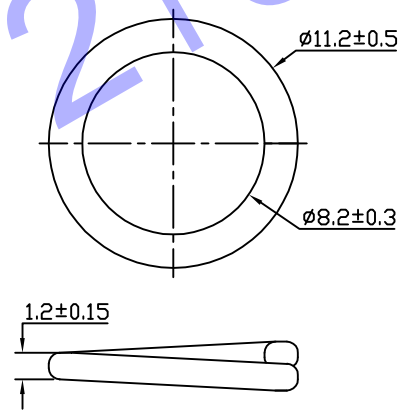
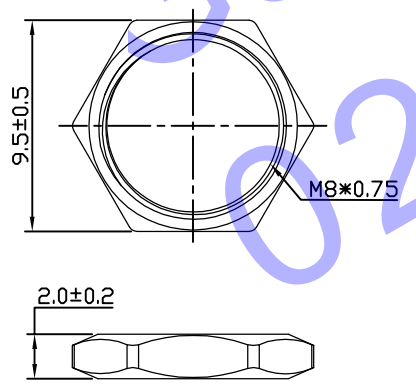
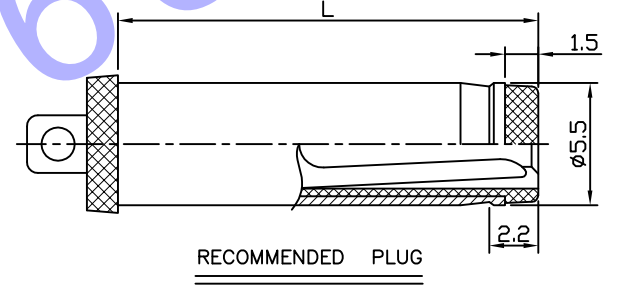
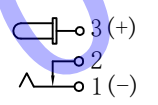


P. C. B LAYOUT  
TOP VIEW



- SPECIFICATION**
1. Rating : DC 30V 5.0A;
  2. Contact resistance:  $\leq 0.03 \Omega$ ;
  3. Insulation resistance:  $\geq 100M \Omega$  (DC250V);
  4. Withstand voltage: 500VAC ;
  5. Insertion and extraction force: 3-30N;
  6. life test: 5,000 cycles.

**SCHEMATIC**



10	SPLIT WASHER	1	IRON	Ni-Plating
9	NUT	1	H59 BRASS	Ni-Plating
8	INSULATOR B	1	PF	
7	INSULATOR A	1	PF	
6	HOUSING	1	PBT	
5	AXIS SUPPORT	1	H59 BRASS	Ni-Plating
4	PIN	1	H59 BRASS	Ni-Plating
3	FLAT PIECE	1	BRASS	Sn-Plating
2	CURVE PIECE	1	BRASS	Sn-Plating
1	SPRING	1	BRONZE	Sn-Plating
NO.	DESCRIPTION	QTY	MATERIAL	PLATING

UNIT:MM	TYPE:	MODEL NO:	PAPER NO: A4	PAGE 1 OF 1
	DC JACK	DC-D125M	TOLERANCE	ANGLES
			±0.15	±1.5°
			SCALE	VER
			3:1	1

DESIGNER BY: \_\_\_\_\_  
 CHECK BY: \_\_\_\_\_  
 APPROVED BY: \_\_\_\_\_

**H D C 有限公司**

1 2 3 4 5