

1

2

3

4

5

A

B

C

D

E

A

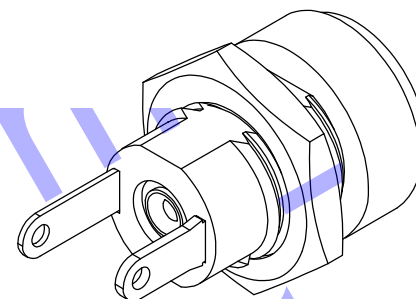
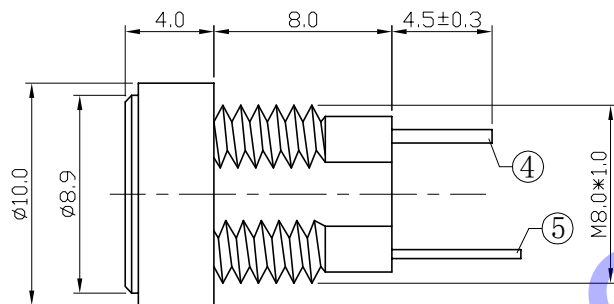
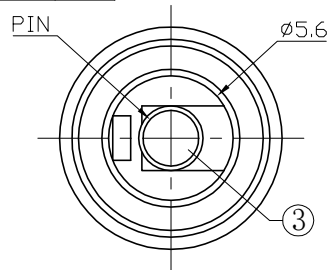
B

C

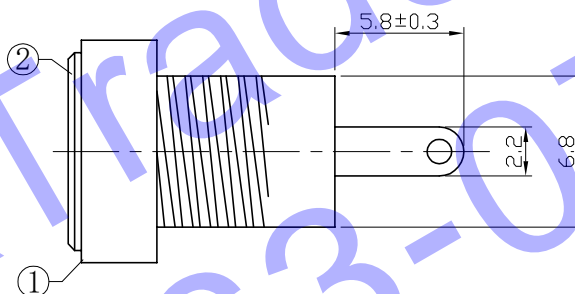
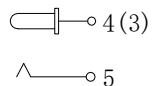
D

E

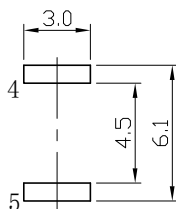
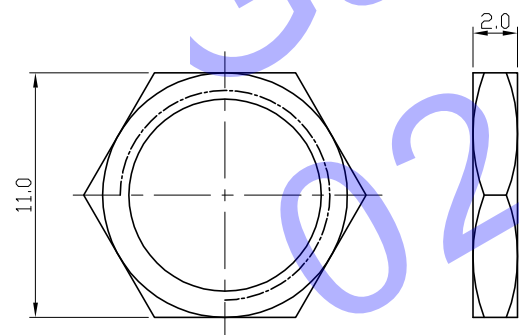
PIN	ø2.0	ø2.5
APPD.		



SCHEMATIC



P. C. B. LAYOUT
TOP VIEW



SPECIFICATION

1. Rating : DC 30V 1.0A;
2. Contact resistance: $\leq 0.03 \Omega$;
3. Insulation resistance: $\geq 100M \Omega$ (DC250V);
4. Withstand voltage: 500VAC ;
5. Insertion and extraction force: 3-20N;
6. life test: 5,000 cycles.

NO.	DESCRIPTION	QTY	MATERIAL	PLATING
5	SPRING	1	BRONZE	Ag-Plating
4	CONTACT FOOT	1	BRASS	Ag-Plating
3	PIN	1	BRASS	Ni-Plating
2	AXIS SUPPORT	1	BRASS	Ni-Plating
1	HOUSING	1	PBT	

UNIT:MM 	TYPE:	MODEL NO: GDCJ-D022B	PAPER NO: A4		PAGE 1 OF 1	
			TOLERANCE ± 0.15	ANGLES $\pm 1.5^\circ$	SCALE 3:1	VER 0

DESIGNER BY: _____
 CHECK BY: _____
 APPROVED BY: _____

H D C 有限公司

1

2

3

4

5