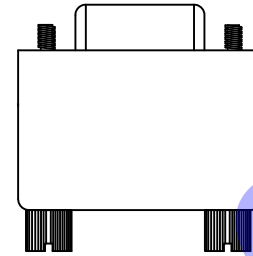
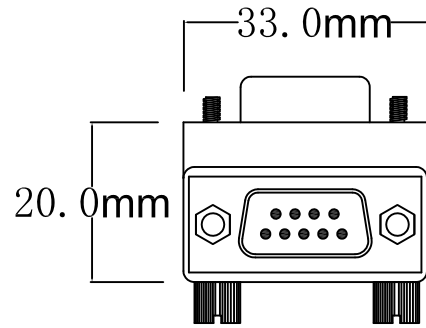
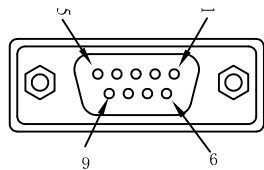


DB9-M

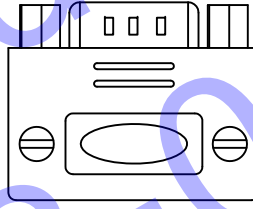
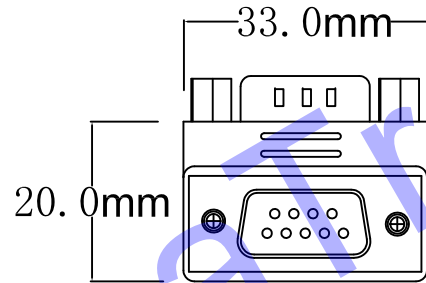


1. PIN ASSIGNMENT:

DB9-M	COLOR	DB9-F
1	BLACK	1
2	BLACK	2
3	BLACK	3
4	BLACK	4
5	BLACK	5
6	BLACK	6
7	BLACK	7
8	BLACK	8
9	BLACK	9



DB9-F



2. Cable test condition :
 Open / Short : 100%
 Insulation resistance : 5M ohms
 Contact resistance : 3 ohm
 Hipot : DC 300V / 1 sec

A			2011/07/18
H D C 有限公司		TITLE	DB9P/M+DB9P/F 90 ANGLE
		DWN NO.	D-12
DRAWN	LAI HUANG XING	DATE	2011/07/18
CHECKED	L/L/L	DATE	2011/07/18
APPROVAL	NATE LAI	DATE	2011/01/15
CUSTOMER P/N:		DB9/M-DB9/F 90	
CUSTOMER:			
SHEET		1 OF 1	