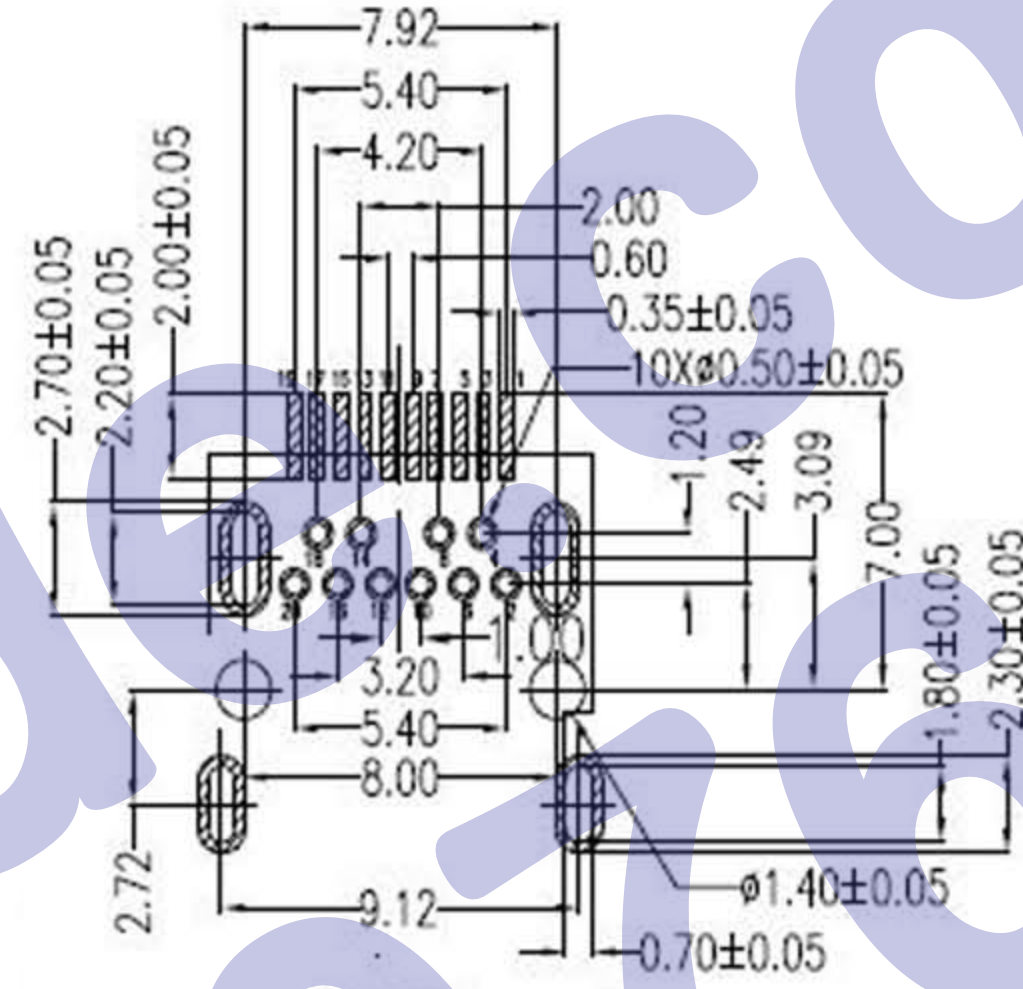
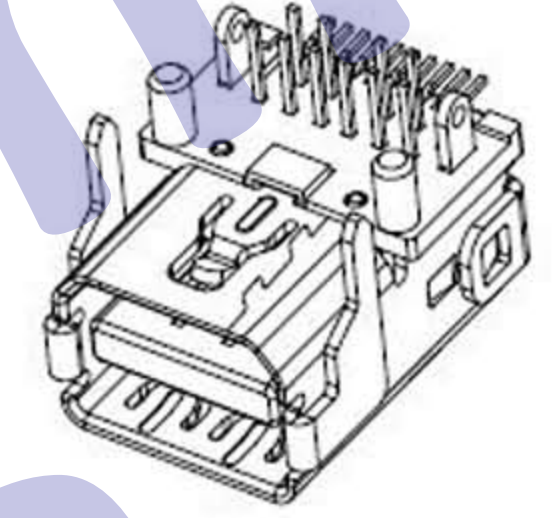
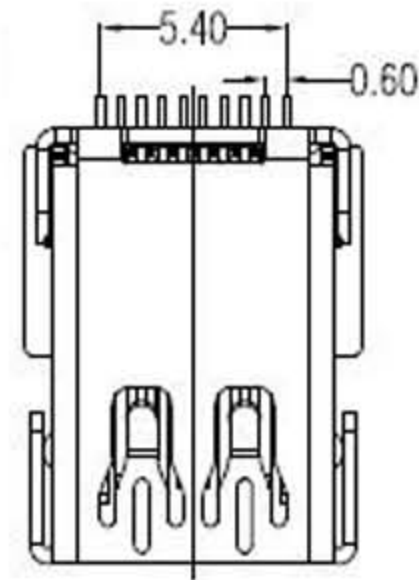
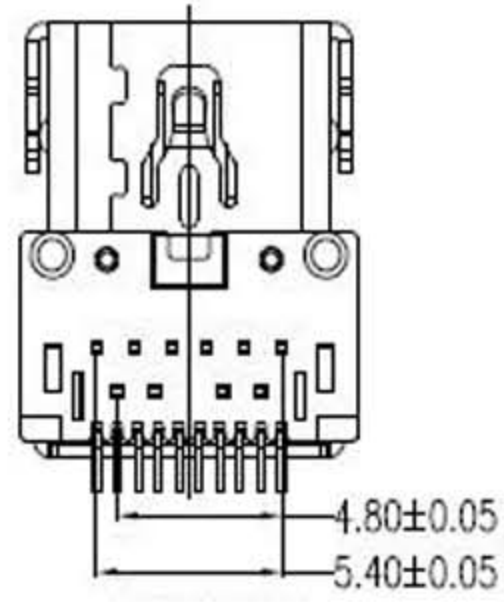
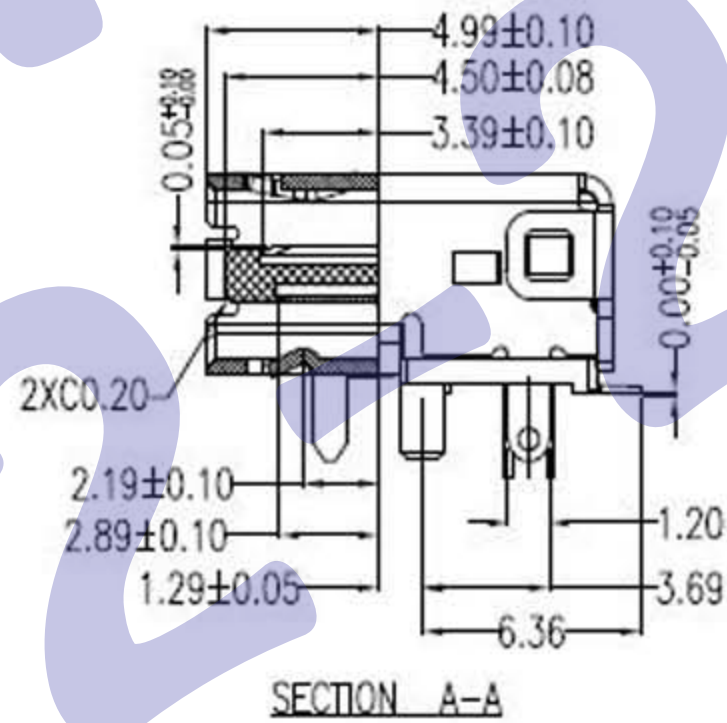
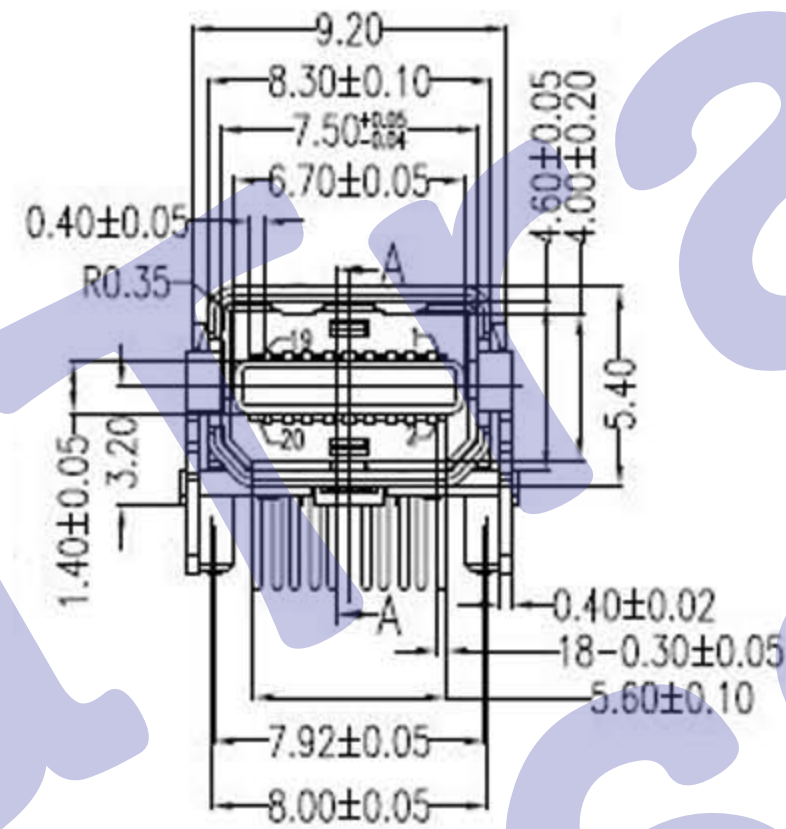
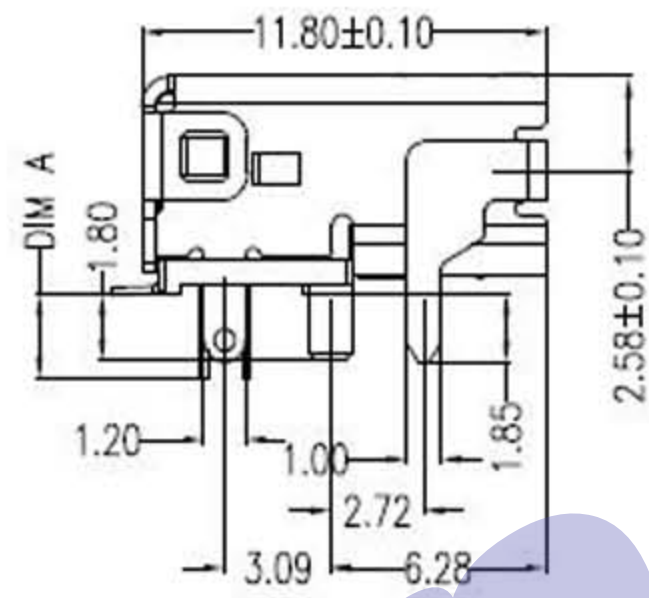


REV.	DESCRIPTION	DRAWN/DATE	APPROVED/DATE
A			
B			



P.C.B Layout
Component side



Top Row			Bottom Row		
Pin Number	Signal Type	Pin Name	Pin Number	Signal Type	Pin Name
1	GND	GND	2	In	HotPlug Detect
3	Out	ML_Lane 0(p)	4	CONFIG	CONFIG1
5	Out	ML_Lane 0(n)	6	CONFIG	CONFIG2
7	GND	GND	8	GND	GND
9	Out	ML_Lane 1(p)	10	Out	ML_Lane 3(p)
11	Out	ML_Lane 1(n)	12	Out	ML_Lane 3(n)
13	GND	GND	14	GND	GND
15	Out	ML_Lane 2(p)	16	I/O	AUX_CH(p)
17	Out	ML_Lane 2(n)	18	I/O	AUX_CH(n)
19	GND	GND	20	PWR Out	DP_PWR

GENERAL TOLERANCE	ANGLE TOLERANCE	DRAW	DATE
		DESIGN	DATE
		CHECK	DATE
UNIT: mm	SCALE	APPRD.	DATE
A4	SHEET:		

HDC 有限公司

FILE NAME. (品名)	Displayport 20P 母座 (SMT)
PART NO. (料号)	GETC-7130MDP-20F
DRAWING NO. (图号)	REV. B