

# AC SOCKET

## RF-180-A

STANDARD: IEC 320 C8

RATING : 2.5A/250V AC

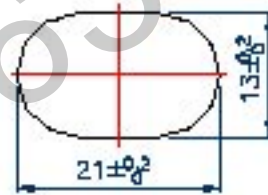
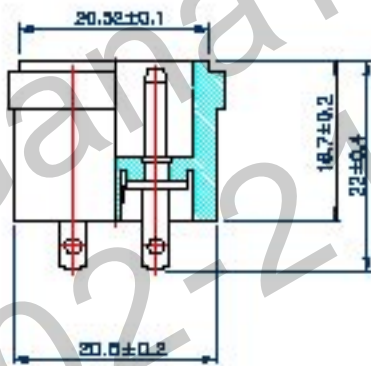
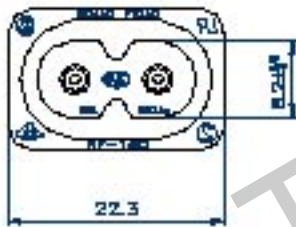
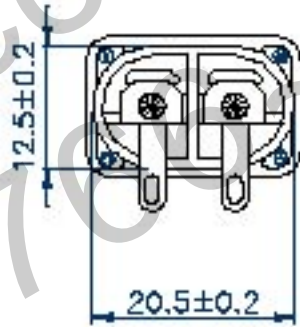
APPROVALS: UL/CSA/VDE/ÖVE/SEV/  
DEMKO/NEMKO/SEMKO/FIMKO



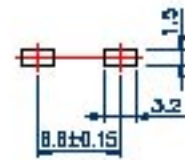
RF-180-A



RF-180-AA



PANEL CUT-OUT



P.C.B. LAYOUT