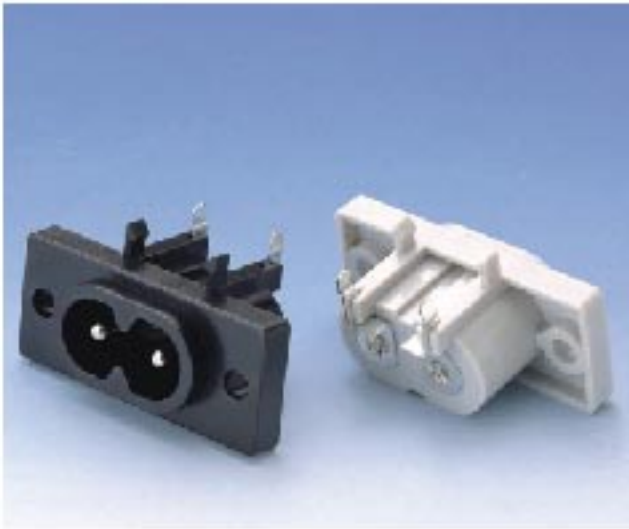


AC SOCKET



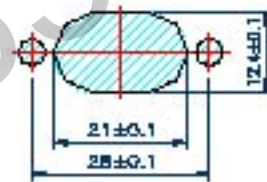
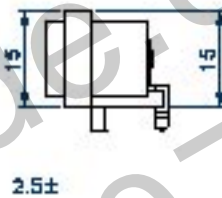
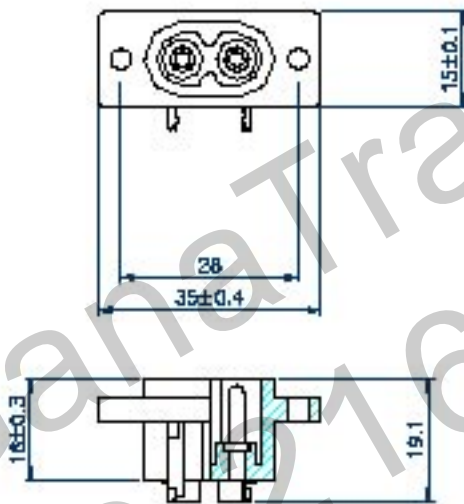
RF-180-G

STANDARD: IEC 320 C8

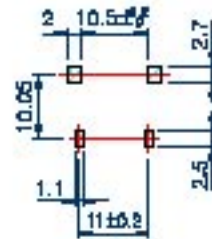
RATING: 2.5A/250V AC

APPROVALS: UL/CSA/VDE/ÖVE/SEV/

DEMKO/NEMKO/SEMKO/FIMKO



PANEL CUT-OUT



P.C.B. LAYOUT