

AC SOCKET



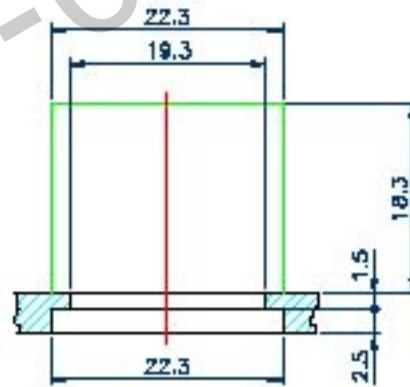
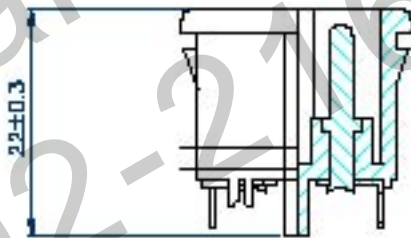
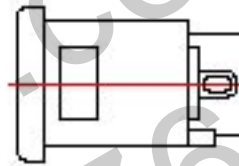
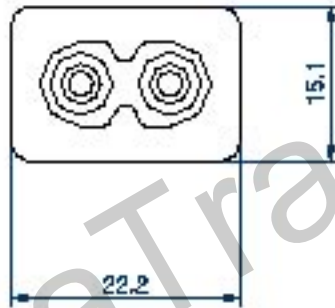
RF-180-HS

STANDARD: IEC 320 C8

RATING: 2.5A/250V AC

APPROVALS: UL/CSA/VDE/ÖVE/SEVI

DEMKO/NEMKO/SEMKO/FIMKO



PANEL CUTOUT